

SPARK PLUGS

10MM & 14MM SERIES

FEATURES

- Insulating part:
- Spark potential:
- H.T. connection:
- Double electrode discharge.

ceramic
5÷9000 V
radial terminal



F5002101

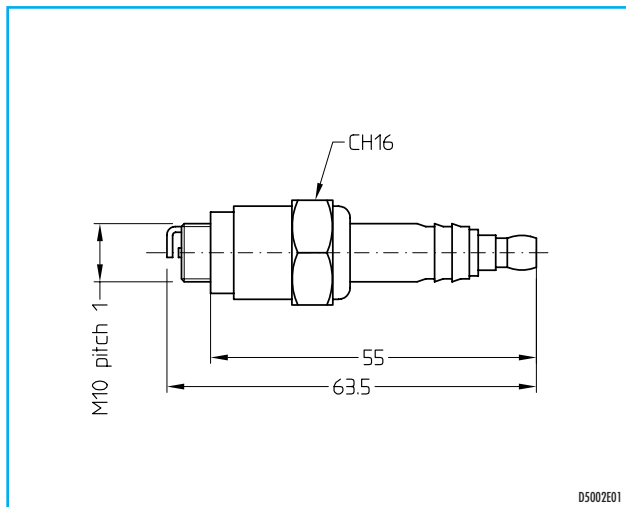
APPLICATIONS

- Model 10 MM is mounted on all pilot burners ESA.
- Model 14 MM is used only on burners model T200, T300 and T400.

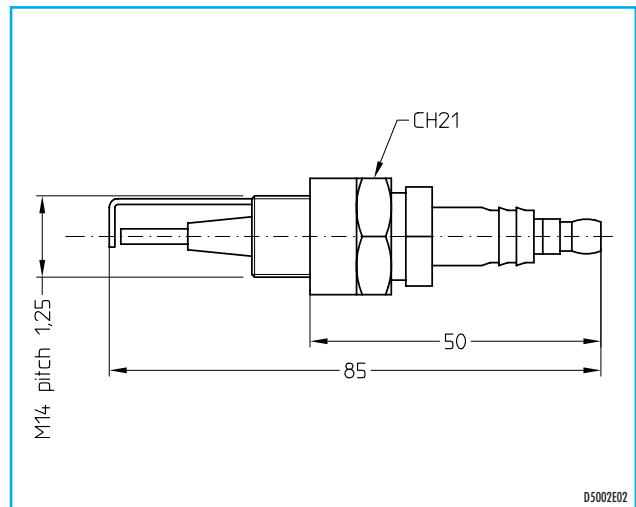


F5002102

DIMENSIONS



D5002E01



D5002E02

NOTE: Based on the company's policy aimed at a continuous improvement on product quality, Esa-Pyronics reserves the right to bring changes to the technical characteristics of this device without previous notice. Our catalog updated to the latest version is available on our web site www.esacombustion.it and it is possible to download modified documents

WARNING: When operating, this combustion system can be dangerous and cause harm to persons or damage to equipment. every burner must be provided with a protection device that monitors the combustion. the installation, adjustment and maintenance operations should only be performed by trained and qualified personnel.



Headquarters

Esa S.r.l.
Via E. Fermi 40 I-24035 Curno (BG) - Italy
Tel. +39.035.6227411 - Fax +39.035.6227499
esa@esacombustion.it - www.esapyronics.com

International Sales

Pyronics International S.A./N.V.
Zoning Ind., 4ème rue B-6040 Jumet - Belgium
Tel +32.71.256970 - Fax +32.71.256979
marketing@pyronics.be