

# SPARK ELECTRODE AND FLAME ROD EN SERIES

## FEATURES

- Insulating part: ceramic
- Electrode: Kantal/inconel
- Cable connection: Raial terminal
- Threading: 1/4" ÷ 3/4"

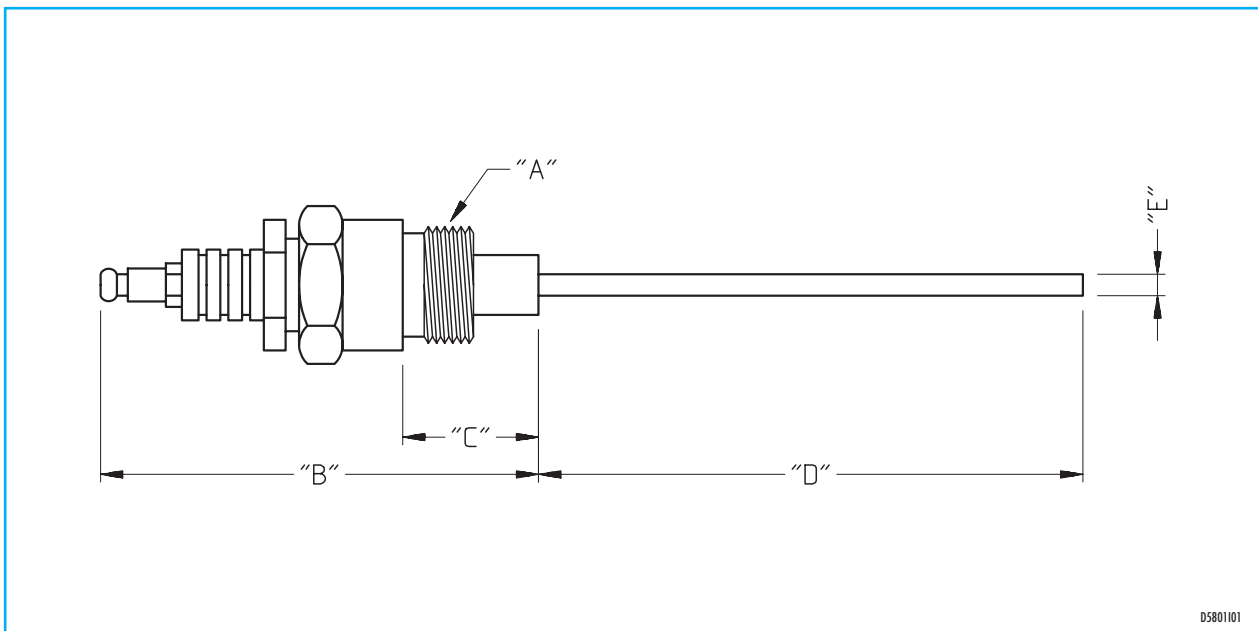


F580101

## DESCRIPTION

The EN electrodes are easy to install, high heat resistant alloy electrodes. They may rotate without being disassembled from the burner.

## DIMENSIONS



D5801101

Catalog no.	ø A	B mm	C mm	D mm	E mm
2 EN - 15	1/4" gas	77	23	15	3
2 EN - 800	1/4" gas	72	21	800	3
2 EN - 1000	1/4" gas	77	23	1000	3
3 EN - 150	3/8" gas	92	40	150	4
3 EN - 300	3/8" gas	80	40	300	4
3 EN - 600	3/8" gas	80	40	600	4
4 EN - 150	1/2" gas	80	40	150	4
4 EN - 300	1/2" gas	80	40	300	4
4 EN - 1400	1/2" gas	80	40	1400	4
6 EN - 150	3/4" gas	80	40	150	4