

# SensePoint

"The Art of Gas Detection"

The **SensePoint** gas detector is R.C. Systems' newest solution for single point monitoring with local alarm indication. Ideal for laboratory and commercial environments. With a bright, vivid backlit color display, Modbus and programmable relays, it will satisfy the most demanding application's requirements. The **SensePoint** gas detector supports all temperature compensated smart sensor types including Electrochemical, Catalytic Bead, Infrared and Photoionization sensors. It even has Arctic options available for extreme low temperature installations.



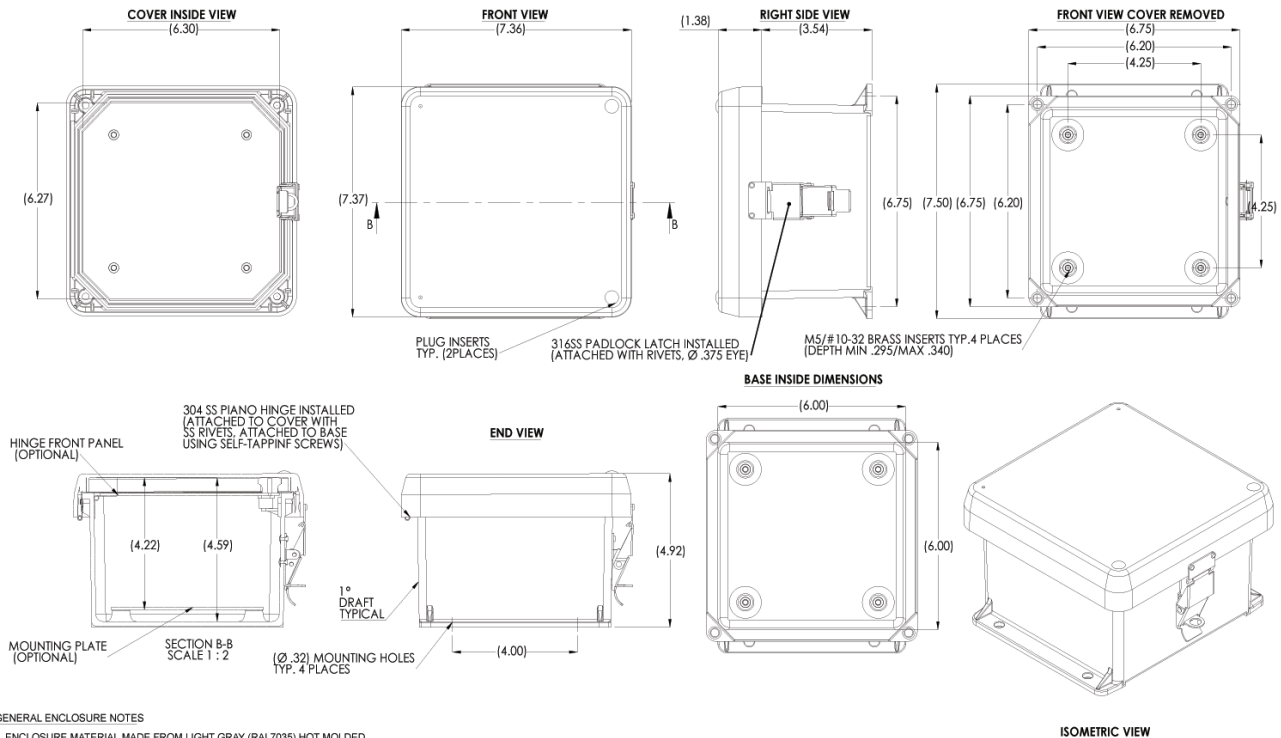
## FEATURES HIGHLIGHT:

- Color backlit LCD Display
- Display Color Changes with Alarm Status
- Generation 2 Smart Sensor Compatible for increased signal stability
- Sensor Life Indication
- Remote Sensor Option
- Non-intrusive One-Man Calibration
- Temperature Compensation
- RS-485 Modbus Port
- 3 programmable relays (Note: adding audio and/or visual alarm options to your configuration reduces relay availability. Ex: Piezo selection will occupy one programmable relay and strobe selection will occupy a second programmable relay.)
- Heated elements available for low temperature
- Multi color visual alarm indicator
- Audible alarm indicator

# SPECIFICATIONS

<b>Power Supply</b>	Input: 110/230 VAC, Output: 24 VDC at 15 watts
<b>Display</b>	128x64 pixel color backlit LCD display
<b>Sensor Input</b>	Electrochemical, Catalytic Bead, Infrared, Photoionization Detector sensor, Modbus, 4-20mA
<b>Output</b>	3-wire 4-20mA current source. Max loop Resistance 600 ohms @ 24VDC Three programmable relays (adding local alarming will reduce relay availability) MODBUS RS-485 serial interfaces
<b>Environmental</b>	Operating range -40°C to +60°C Sensors include sensor heater for low temperature operation Relative humidity to 95% for IR; to 85% noncondensing when using electrochemical sensors
<b>Housing</b>	NEMA 4x Fiberglass
<b>Dimensions</b>	(Outside) Width 7.31" (186 mm), Height 7.31" (186 mm), Depth 4.96" (126 mm) (Inside) Width 6" (152 mm), Height 6" (152 mm), Depth 4.10" (104 mm) Shipping weight 6.5 pounds (3 kg)
<b>Audible</b>	94 dB at 1 meter
<b>Warranty</b>	Up to 5 years * see standard warranty clause on our website

ALL DIMENSIONS IN INCHES



- GENERAL ENCLOSURE NOTES
- ENCLOSURE MATERIAL MADE FROM LIGHT GRAY (RAL7035) HOT MOLDED FIBERGLASS REINFORCED POLYESTER.
  - U.L. LISTED PER STD. 508 (FILE# E192121) PRIOR TO MODIFICATIONS.
  - C.S.A. CERTIFIED PER STD. C22.2 No 94 (FILE# LR38508) PRIOR TO MODIFICATIONS.
  - N.E.M.A. RATED TYPE 3, 3R, 4, 4X, 12 & 13 PRIOR TO MODIFICATIONS.
  - E.C.-529 RATED IP68 PRIOR TO MODIFICATIONS.
  - TEMPERATURE RANGES FROM -50°C TO 150°C.
  - SELF EXTINGUISHING AND HALOGEN FREE.
  - CABINETS ARE MAINTENANCE FREE & CORROSION RESISTANT.