

SenSmart 2000 Series

"The Art of Gas Detection" - Built with our Proven ST-48 Transmitter



Non-metallic Poly "PY" Div 2 model



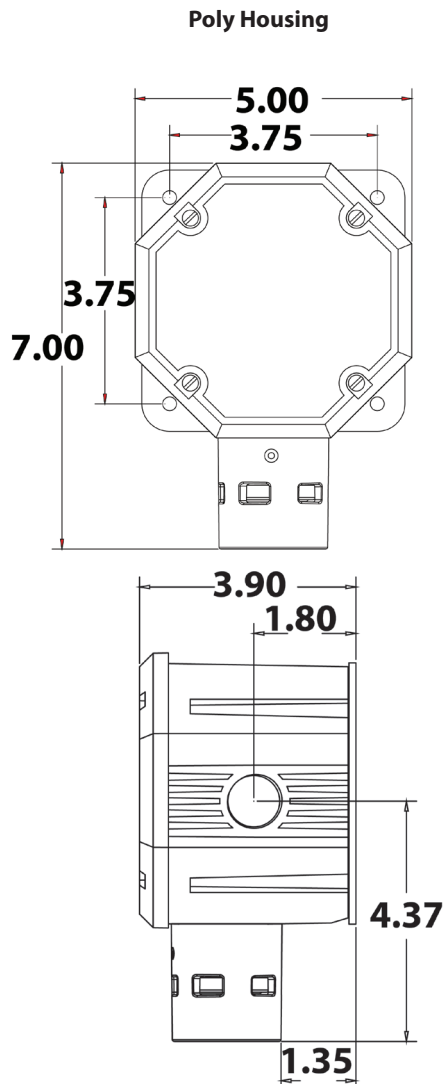
Aluminum "AL" XP model

The **SenSmart 2000** 2-Wire 4-20mA Loop Powered Gas Monitor accepts oxygen and many toxic gases by offering a wide variety of electrochemical gas sensors. **SenSmart 2000**s utilize our popular "GEN 1 smart sensor" proprietary technology to provide sensor recognition and temperature compensation within the **SenSmart 2000**. Each GEN 1 smart sensor has its' own non-volatile memory to store records of serial number, born-on date, initial calibration values, engineering units and temperature compensation algorithm.

FEATURES HIGHLIGHT

- Certified for Explosion Proof and Intrinsically Safe Installations
- Graphic display shows values, units, trend graph, alarm levels
- Non-polarized loop powered interface eliminates wiring errors
- Three flashing Alarm LEDs with Programmable Alarm Levels
- Real time clock tags alarm and calibration events
- Non-intrusive, prompted calibration with programmable cal-gas
- Power-up and post-calibration delays eliminate false alarms
- Security settings to lock critical parameters
- Auto-recognition of Smart Sensors uploads calibration data and more
- Fault supervision circuitry detects failed sensor and transmits warning
- Setup in hazardous area requires only simple magnetic wand

Power Supply	10-30VDC at less than 0.75 watts
Display	64 x 128 pixel LCD with 30-minute trend, bar graph and engineering units display
Standard Output	Standard 2-wire 4-20mA current sink . Max loop Resistance is 600 ohms with nominal 24VDC power supply
Temp	Electronics -40°C to +60°C. See Electrochemical Sensor Manual for additional information
Housing	Aluminum with epoxy paint standard; Optional #316 stainless steel, Optional UI94 Poly Black Plastic Enclosure
Dimensions	(Aluminum) Width 5.4" (137 mm), Height 8" (203 mm), Depth 5" (127 mm) Shipping weight 6.5 pounds (3 kg) (Poly) Width 5" (127 mm), Height 7" (178 mm), Depth 4" (101 mm) Shipping weight 3 pounds (2 kg)
Approval	CSA Certified Div 1 & 2 Groups B, C, D. Suitable for explosion-proof installations CSA Certified Div 1 & 2 Groups A, B, C, D for Intrinsically safe installations
Warranty	5 year limited warranty For sensor warranty see sensor specifications sheet.



ALL DIMENSIONS IN INCHES

