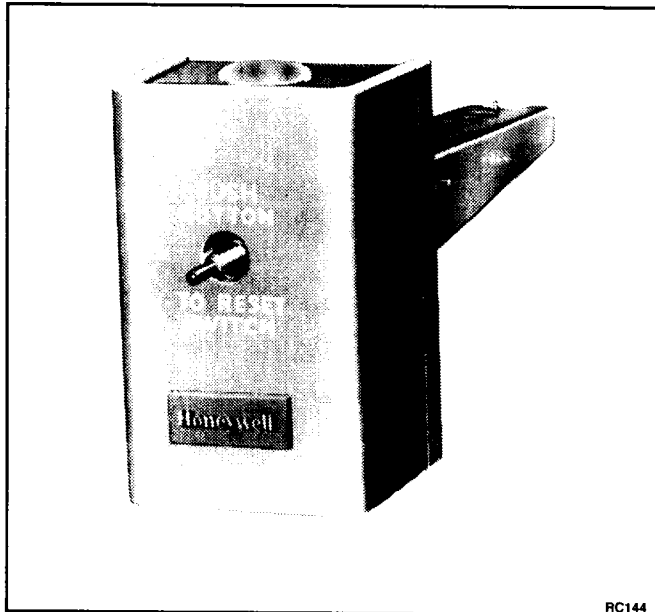


## L4029E Reset Limit Control

### SPECIFICATION DATA



### FEATURES

- Shuts off the fan when air temperature is indicative of fire
- Internal snap-acting switch actuated by a bimetal strip inserted directly into the air stream responds rapidly to temperature changes
- Requires manual reset

### GENERAL

L4029E Reset Limit Control opens a line or low voltage circuit if the air temperature reaches a critical level at controller location. The primary usage of the L4029E is as a fire thermostat in the ductwork of air conditioning and ventilating systems. If the circulated air reaches a temperature indicative of fire, the limit control shuts off the fan, preventing the fan from contributing to the spread of fire. It is also suitable for use with any warm air furnace to provide positive lockout of the burner in the event of fan failure.



## DESCRIPTION

L4029E Reset Limit Control opens a line or low voltage circuit if the air temperature reaches a critical level at controller location. The primary usage of the L4029E is as a fire thermostat in the ductwork of air conditioning and ventilating systems. If the circulated air reaches a temperature indicative of fire, the limit control shuts off the fan, preventing the fan from contributing to the spread of fire. It is also suitable for use with any warm air furnace to provide positive lockout of the burner in the event of fan failure.

## SPECIFICATIONS

**Model:**  
L4029E Reset Limit Control with case and cover

**Cutout Setting (Fixed):**  
To break the circuit at 125, 135, 145, 165, 200, 225, or 240F (52, 57, 63, 73, 93, 107, or 115C)

**Electrical Ratings in Amperes:**

	30 Vac	120 Vac	240 Vac
Full Load	2	10	5
Locked Rotor	—	60	30

0.25A full load at 0.25 to 12 Vdc

**Switch Action:**  
Normally closed spst, opens on temperature rise to setpoint. Switch must be manually reset to resume operation

**Maximum Ambient Temperature:**  
At switch: 190F (88C)  
At bimetal: 350F (176C)

**Manual Reset:**  
Button through front cover. Must be pressed and released to remake switch after temperature falls approximately 25 degrees below the cutout point.

**Differential:**  
Manual reset only, after approximately 25F (14K) drop in temperature

**Home and Building Control**  
Honeywell Inc.  
Honeywell Plaza  
P.O. Box 524  
Minneapolis MN 55408-0524

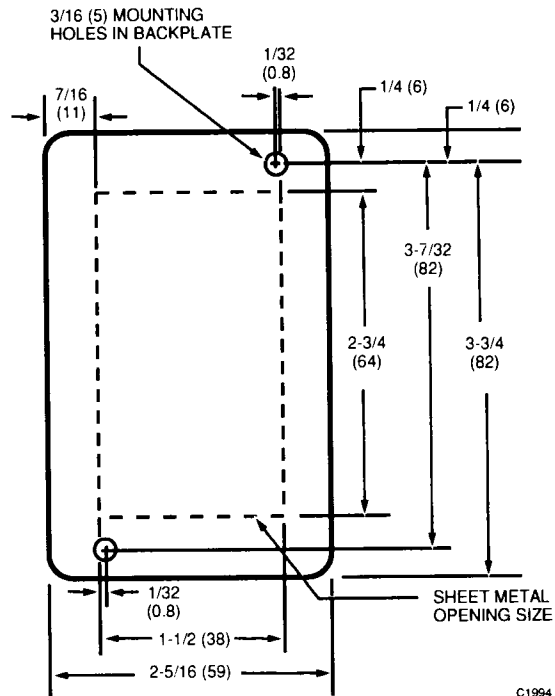
**Honeywell Latin American Division**  
Miami Lakes Headquarters  
14505 Commerce Way Suite 500  
Miami Lakes FL 33016

**Home and Building Control**  
Honeywell Limited-Honeywell Limitée  
740 Ellesmere Road  
Scarborough Ontario  
M1P 2V9

**Honeywell Europe S.A.**  
3 Avenue du Bourget  
B-1140 Brussels Belgium

**Honeywell Asia Pacific Inc.**  
Room 3213-3225  
Sun Hung kai Centre  
No. 30 Harbour Road  
Wanchai  
Hong Kong

**Dimensions in Inches (Millimeters):**



**Element Insertion Length:**  
3 in. (76 mm)

**Mounting Means:**  
Two screw holes are provided through back of case. May be mounted on a suitable bracket so the air entering the fan is drawn across the element.

**Wiring Knockouts:**  
Bottom: for 1/2 in. conduit

**Finish:**  
Smooth gray

**Approvals:**  
UL File No. MP465, Guide No. MBPR

**Honeywell**

Helping You Control Your World