

# Honeywell

MAXON

## Gas Electro-Mechanical Valves

TECHNICAL CATALOG

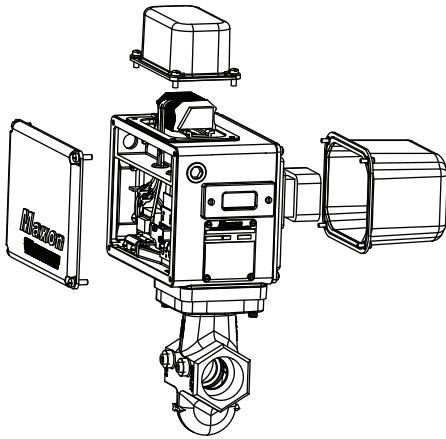


- Electrically actuated valves with powerful closing spring provide closure in less than 1 second for reliable, long-life operation
- Factory Mutual, CSA, UL and CE approved; Canadian registration obtained on all valve bodies
- Hazardous Locations valves approved for Non-incendive Class I, Division 2 areas
- Full assessment to IEC 61508 as SIL 3 capable
- Visual position indication provided
- Cast iron, carbon steel, low temperature carbon steel and stainless steel body assemblies with internal trim options to handle general purpose or corrosive gases; oxygen compatibility available
- Ambient and gas temperature ranges of -20°F to 140°F
- Application flexibility provided with 3/4" (DN20) through 6" (DN150) line sizes & line pressures up to 125 psig
- Unique bonnet design eliminates packing adjustments, reducing maintenance and minimizing drag on closing
- MAXON electro-mechanical gas valves meet Fluid Control Institute (FCI) 70-2 control valve standard for Class VI seat leakage
- Field rotatable top assemblies in 90° increments to fit specific application requirements
- Actuator assemblies available with manual reset or automatic reset operators
- Normally-closed and normally-open versions available
- Overtravel position switches for open and closed position

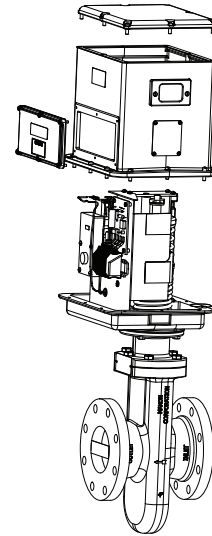
## OPERATING CONCEPTS

### Automatic reset valves Model designation

S and C Models  
SMA11, CMA11, SMA21, CMA21

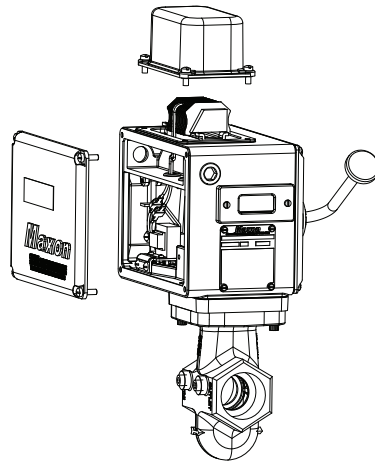


H Models  
HMA11



### Manual reset valves

Model designation (former model designation)  
S and C Models only SMM11, CMM11, SMM21



- All valves are designed to return to normal position instantly with any interruption in the electric power supplied through your safety circuit.
- (Motorized) automatic reset actuators are used where remote access or unmanned applications are needed.
- Manual reset actuators require operating personnel to be physically present to actuate the valve from its at rest position.

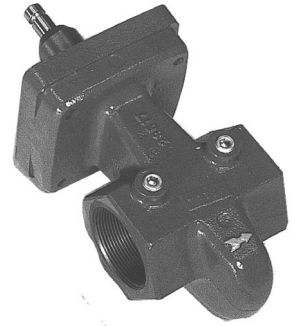
### Switch assemblies

- Provides positive valve position - open or closed
- Complies with "proof of closure" requirements
- Easily integrates with an analog control system, DCS or PLC
- IP 67 rated, sealed switches included for Non-incendive valves

## Body and trim selections

Cast iron, carbon steel, low temperature carbon steel and stainless steel body assemblies feature metal-to-metal seating that meets FCI 70-2 control valve standard for Class VI seat leakage. Internal trim options are available for general purpose and corrosive gases. Oxygen compatible trims are also available. Valve body assemblies are offered in normally-closed shut-off and normally-open vent versions.

Valve bodies are available in threaded, flanged, and socket-welded connections. Bodies are currently available in 3/4" through 6" (DN20 through DN150) sizes. Body design utilizes a straight-through flow path, which minimizes the pressure drop through the body.



Normally-closed shut-off valves utilize power to open. Removal of electrical signal allows instantaneous release of the holding mechanism, allowing the powerful closing spring to close the valve in less than one second.

Series SMA11, SMM11, SMA12, SMM12, CMA11, CMM11, CMA12, CMM12, HMA11
















Normally-open vent valves utilize power to close. Removal of electrical signal allows instantaneous release of the holding mechanism, allowing the valve to open in less than one second.

Series SMA21, SMM21, SMA22, SMM22, CMA21, CMA22, CMM22



Agency approvals and certifications

|   | General Purpose Valves<br>SMA11, SMM11, CMA11,<br>CMM11, SMA21, SMM21,<br>CMA21, HMA11 |  | Non-Incendive/Non-Sparking Valves<br>SMA12, SMM12, SMA22, CMA22,<br>CMA12, CMM12, SMM22, CMM22  |   |
|---|--|--|---|---|
|   | Standards  | Markings   | Standards   | Markings  |
| <b>FM Approvals</b>                               | FM 7400  |   | FM 7400<br>FM 3600<br>FM 3611<br>FM 3810  | Class I, Div. 2, Groups ABCD<br>Class II, Div. 2, Groups FG<br>Class III, Div. 2<br>T4 (AC) = 60°C<br>T3 (DC, sizes 3/4" - 1-1/2") = 60°C<br>T3C (DC, sizes 2"-6") = 60°C<br>                  |
| <b>IECEX</b>                                      | Not Applicable   |  | IEC 60079-0<br>IEC 60079-15<br>IEC 60079-31   | Ex nA nC IIC T4A (AC), T3 (DC), Gc<br>Ex tc IIIC T135°C Dc IP65<br>-29°C < Ta < 60°C IP65<br>IECEX FMG 11.0032X   |
| <b>UL</b>   | UL 429   |   | Not Applicable  | Not Applicable  |
| <b>CSA</b>  | CSA 6.5<br>CSA 22.2 No. 139  | <br> | CSA 6.5<br>CSA 22.2 No. 139<br>CSA 22.2 No. 0<br>CSA 22.2 No. 0.4<br>CSA 22.2 No. 25<br>CSA 22.2 No. 94<br>CSA 22.2 No. 142<br>CSA 22.2 No. 213 | Class I, Div. 2, Groups ABCD<br>Class II, Div. 2, Groups FG<br>Class III<br>T4 = 60°C<br>T3C = 60°C<br><br> |
| <b>United Kingdom<br/>GAR, LVD<br/>Compliance</b> | BSEN 161<br>BSEN13774<br>TP 6.16   |   | Not Applicable  |   |
| <b>European GAR, LVD,<br/>EMC Compliance</b>      | BSEN 161<br>BSEN13774<br>TP 6.16   |   | Not Applicable  | Not Applicable  |
| <b>United Kingdom<br/>PED Compliance</b>          | Not Applicable   |   | Not Applicable  |   |
| <b>European PED<br/>Compliance</b>                | Not Applicable   |   | Not Applicable  |   |
| <b>SIL</b>  | IEC 61508  | Not Applicable   | IEC 61508   | Not Applicable  |
| <b>KTL Approvals</b>                              | Not Applicable   |  | Not Applicable  | MA12: 12-KB4BO-0057<br>MM12: 13-KB4BO-0419<br>MA22: 16-KA4BO-0027X<br>MM22: 16-K4BO-0028X<br>  |
| <b>AGA Certifications</b>                         | AS 4629<br>(CLASS 1)   | Not Applicable   | AS 4629   | Not Applicable  |
| <b>Chinese Approvals</b>                          | Not Applicable   |  | GB 3836.1,<br>GB 3836.8,<br>GB 12476.1,<br>GB 12476.5   | Ex nA nC IIC T4(AC),<br>T3(DC) Gc,<br>Ex tD A22 IP65 T135°C<br>  |

Gas Appliance Regulation (EU) 2016/426 (Does not include 400HMA11 or 600HMA11 valves)  
 Low Voltage Directive (2014/35/EU)  
 EMC Directive (2014/30/EU)  
 Pressure Equipment Directive (2014/68/EU) up to 4"  
 Class A, Group 2 per EN 161

## Valve cycle requirements

This is based on the standards that MAXON valves are approved to and the corresponding minimum number of cycles to be completed without failure as shown in the chart below.

|  | <b>UL (UL 429)</b> | <b>CSA (CSA 6.5)</b>    | <b>FM (FM 7400)</b>     | <b>European (EN161)</b>                        |
|--|--------------------|-------------------------|-------------------------|--|
| Automatic<br>Series MA11, MA12               | 100,000            | 100,000                 | 20,000                  | <= 1" 200,000<br><= 3" 100,000<br><= 6" 50,000 |
| Manual<br>Series MM11, MM12                  | 6,000              | 20,000                  | 20,000                  | No special requirements                        |
| Vent valves<br>Series MA21, MA22, MM21, MM22 | 6,000              | No special requirements | No special requirements | No special requirements                        |

## VALVE MODEL NUMBER DESCRIPTION

Every MAXON gas electro-mechanical valve can be accurately identified by the model number shown on the valve nameplate. The example below shows a typical gas electro-mechanical valve model number, along with the available choices for each item represented in the model number.

| Configured item number |               |            |                 |                     | Valve body      |                              |               |                       |                                   | Actuator                           |                                      |                |                  |                      |   |   |
|------------------------|---------------|------------|-----------------|---------------------|-----------------|------------------------------|---------------|-----------------------|-----------------------------------|------------------------------------|--------------------------------------|----------------|------------------|----------------------|---|---|
| Valve size             | Flow capacity | Valve type | Normal position | Area classification | Body connection | Body seals & bumper material | Body material | Internal trim package | Solenoid OR circuit board voltage | Motor voltage OR handle side plate | Motor timing (automatic valves only) | Switch options | Enclosure rating | Instruction language |   |   |
| 300                    | C             | MA         | 1               | 1                   | -               | A                            | A             | 1                     | 1                                 | -                                  | B                                    | B              | 2                | 0                    | A | 0 |

Valve size

075 - 3/4" (DN20)  
 100 - 1" (DN25)  
 125 - 1-1/4" (DN32)  
 150 - 1-1/2" (DN40)  
 200 - 2" (DN50)  
 250 - 2-1/2" (DN65)  
 300 - 3" (DN80)  
 400 - 4" (DN100)  
 600 - 6" (DN150)

Flow capacity

S - Standard  
 C - CP body construction  
 H - High capacity

Valve reset type

MA - MAXON automatic (motorized) valve  
 MM - MAXON manual valve

Normal position

1 - Normally closed shut-off valve  
 2 - Normally open vent valve

Area classification

1 - General purpose  
 2 - Non-incendive, Class I, II and III Division 2  
 4 - Valve body only (400 & 600 high capacity valves only)

Body connection

A - ANSI (NPT) threaded  
 B - ANSI flanged (PN20)  
 C - ISO 7/1 threaded  
 D - DIN PN16 flanged  
 E - Socket welded nipple  
 F - Socket welded nipple w/Class 150 flange (ISO 7005 PN20)  
 H - EN1092-1 PN16 flanged (ISO 7005-1 PN16)

Body seals & bumper material

A - Buna o-rings/Buna bumper  
 B - Viton o-rings/Buna bumper  
 C - Viton o-rings/Viton bumper <sup>1</sup>  
 D - Ethylene propylene o-rings w/Ethylene propylene bumper <sup>1</sup>  
 E - Omniflex o-rings/Buna bumper  
 F - Omniflex o-rings/Viton bumper <sup>1</sup>

Body material

1 - Cast iron  
 2 - Carbon steel  
 5 - Stainless steel  
 6 - Low temp carbon steel

Internal trim package

1 - Trim package 1  
 2 - Trim package 2  
 4 - Trim package 2, oxy clean <sup>1</sup>

Solenoid OR circuit board voltage

A - 115VAC 50 Hz  
 B - 115VAC 60 Hz  
 C - 230VAC 50 Hz  
 D - 230VAC 60 Hz  
 E - 208VAC 50 Hz  
 F - 24VDC  
 G - 120VDC

Motor voltage

A - 115VAC 50 Hz  
 B - 115VAC 60 Hz  
 C - 230VAC 50 Hz  
 D - 230VAC 60 Hz  
 E - 24VDC

OR Handle side plate

A - Standard handle

Motor timing<sup>2</sup>

1 - 2.5 Sec (3 Sec on 50 Hz)<sup>3</sup>  
 2 - 6 Sec (7 Sec on 50 Hz)  
 3 - 12 Sec (14 Sec on 50 Hz)  
 \* - N/A with manual valves

Switch options

Automatic valves

0 - VOS1/none  
 1 - VOS1/VCS1  
 2 - VOS2/VCS2  
 3 - VOS2/VCS1  
 4 - VOS1HC/VCS1HC

Manual valves

0 - None  
 1 - VOS1/VCS1  
 2 - VOS2/VCS2  
 3 - VOS2/VCS1

Enclosure rating

A - NEMA 4  
 B - NEMA 4X

Instruction language

0 - English

<sup>1</sup> 0°F (-18°C) minimum ambient temperature limit

<sup>2</sup> Motor timing not available on manual valves

<sup>3</sup> 2.5 second Motor timing only available on "S" Valves

**VALVE BODY ASSEMBLY OPTIONS & SPECIFICATIONS**

| Normally-closed shut-off valve - Body options |               |                  |  |              |           |                       |                    |   |
|---|---------------|------------------|--|--------------|-----------|-----------------------|--------------------|---|
| Nominal pipe size                             | Flow capacity | Body connections | Body material                            | Trim package | Cv rating | Flow @ MOPD (in SCFM) | MOPD rating (psig) | Special service MOPD rating (psig) <sup>1</sup> |
| 3/4" (DN20)                                   | S             | A, C             | 1, cast iron                             | 1, 2, 4      | 19        | 2250                  | 125                | 30  |
|   |               | A, C, E, F       | 2, 6, carbon steel<br>5, stainless steel | 2, 4         |           |                       |                    |   |
| 1" (DN25)                                     | S             | A, C             | 1, cast iron                             | 1, 2, 4      | 20        | 2400                  | 125                | 30  |
|   |               | A, C, E, F       | 2, 6, carbon steel<br>5, stainless steel | 2, 4         |           |                       |                    |   |
| 1-1/4" (DN32)                                 | S             | A, C             | 1, cast iron                             | 1, 2, 4      | 45        | 4400                  | 100                | 30  |
| 1-1/2" (DN40)                                 | S             | A, C             | 1, cast iron                             | 1, 2, 4      | 53        | 3800                  | 70                 | 20  |
|   |               | A, C, E, F       | 2, 6, carbon steel<br>5, stainless steel | 2, 4         |           |                       |                    |   |
| 2" (DN50)                                     | S             | A, B, C, D, H    | 1, cast iron                             | 1, 2, 4      | 86        | 6200                  | 70                 | 15  |
|   |               | A, C, E, F       | 2, 6, carbon steel<br>5, stainless steel | 2, 4         |           |                       |                    |   |
| 2-1/2" (DN65)                                 | S             | A, B, C, D       | 1, cast iron                             | 1            | 127       | 5800                  | 40                 | 10  |
|   | C             |                  | 1, cast iron                             | 1, 2, 4      | 304       | 16500                 | 50                 | 15  |
|   |               | B, D, H          | 2, 6, carbon steel<br>5, stainless steel | 2, 4         |           |                       |                    |   |
| 3" (DN80)                                     | S             | A, C             | 1, cast iron                             | 1            | 173       | 6300                  | 30                 | 5   |
|   | C             | A, B, C, D, H    | 1, cast iron                             | 1, 2, 4      | 423       | 19300                 | 40                 | 10  |
|   |               | B, D, H          | 2, 6, carbon steel<br>5, stainless steel | 2, 4         |           |                       |                    |   |
| 4" (DN100)                                    | C             | B, D, H          | 1, cast iron                             | 1, 2, 4      | 490       | 22300                 | 40                 | 10  |
|   |               |                  | 2, 6, carbon steel<br>5, stainless steel | 2, 4         |           |                       |                    |   |
|   | HC            |                  | 1, cast iron                             | 1, 2, 4      | 719       | 45500                 | 60                 | 10  |
|   |               |                  | 2, carbon steel<br>5, stainless steel    | 2, 4         |           |                       |                    |   |
| 6" (DN150)                                    | S             | B, D, H          | 1, cast iron                             | 1, 2, 4      | 869       | 23600                 | 20                 | Not available                                   |
|   |               |                  | 2, carbon steel<br>5, stainless steel    | 2, 4         |           |                       |                    |   |
|   | HC            |                  | 1, cast iron                             | 1, 2, 4      | 1172      | 63800                 | 50                 | 10  |
|   |               |                  | 2, carbon steel<br>5, stainless steel    | 2, 4         |           |                       |                    |   |

<sup>1</sup> Special service fuels (see page 10-30.1-12): Valve maximum operating pressure differential (MOPD) to be reduced

**Body connections:**

- A - NPT
- B - ANSI flanged (ISO 7005 PN20)
- C - ISO 7-1 threaded
- D - DIN PN16 flanged
- E - Socket welded nipple
- F - Socket welded nipple w/Class 150 flange (ISO 7005 PN20)
- H - EN1092-1 PN16 (ISO 7005-1 PN16)

**Body material:**

- 1 - Cast iron
- 2 - Carbon steel
- 5 - Stainless steel
- 6 - Low temp carbon steel

**Trim package options and typical material:**

- 1 - 400 series stainless steel seat, hardened ductile iron disc, PEEK follower ring
- 2 - 316SS seat, 316SS disc, PEEK follower ring
- 4 - Oxy clean, trim 2

**Body seals and bumper:**

- Buna o-rings/Buna bumper
- Viton o-rings/Buna bumper
- Viton o-rings/Viton bumper
- Ethylene Propylene o-rings/Ethylene Propylene bumper
- Omniflex o-rings/Buna bumper
- Omniflex o-rings/Viton bumper

Refer to valve body assembly gas compatibility for proper elastomer selection.

| Normally-open vent valve - Body options |               |                  |                    |              |           |                       |                    |   |
|---|---------------|------------------|--------------------|--------------|-----------|-----------------------|--------------------|---|
| Nominal pipe size                       | Flow capacity | Body connections | Body material      | Trim package | Cv rating | Flow @ MOPD (in SCFM) | MOPD rating (psig) | Special service MOPD rating (psig) <sup>1</sup> |
| 3/4" (DN20)                             | S             | A, C             | 1, cast iron       | 1, 2, 4      | 19        | 2250                  | 125                | 30  |
|   |               | A, C, E, F       | 2, 6, carbon steel | 2, 4         |           |                       |                    |   |
|   |               |                  | 5, stainless steel |              |           |                       |                    |   |
| 1" (DN25)                               | S             | A, C             | 1, cast iron       | 1, 2, 4      | 20        | 2400                  | 125                | 30  |
|   |               | A, C, E, F       | 2, 6, carbon steel | 2, 4         |           |                       |                    |   |
|   |               |                  | 5, stainless steel |              |           |                       |                    |   |
| 1-1/2" (DN40)                           | S             | A, C             | 1, cast iron       | 1, 2, 4      | 53        | 3800                  | 70                 | 20  |
|   |               | A, C, E, F       | 2, 6, carbon steel | 2, 4         |           |                       |                    |   |
|   |               |                  | 5, stainless steel |              |           |                       |                    |   |
| 2" (DN50)                               | S             | A, B, C, D, H    | 1, cast iron       | 1, 2, 4      | 86        | 6200                  | 70                 | 15  |
|   |               | A, C, E, F       | 2, 6, carbon steel | 2, 4         |           |                       |                    |   |
|   |               |                  | 5, stainless steel |              |           |                       |                    |   |
| 2-1/2" (DN65)                           | C             | A, B, C, D       | 1, cast iron       | 1, 2, 4      | 304       | 16500                 | 50                 | 15  |
|   |               | B, D, H          | 2, 6, carbon steel | 2, 4         |           |                       |                    |   |
|   |               |                  | 5, stainless steel |              |           |                       |                    |   |
| 3" (DN80)                               | C             | A, B, C, D, H    | 1, cast iron       | 1, 2, 4      | 423       | 19300                 | 40                 | 10  |
|   |               | B, D, H          | 2, 6, carbon steel | 2, 4         |           |                       |                    |   |
|   |               |                  | 5, stainless steel |              |           |                       |                    |   |
| 4" (DN100)                              | C             | B, D, H          | 1, cast iron       | 1, 2, 4      | 490       | 22300                 | 40                 | 10  |
|   |               |                  | 2, 6, carbon steel | 2, 4         |           |                       |                    |   |
|   |               |                  | 5, stainless steel |              |           |                       |                    |   |

<sup>1</sup> Special service fuels (see page 11): Valve maximum operating pressure differential (MOPD) to be reduced

**Body connections:**

- A - NPT
- B - ANSI flanged (ISO 7005 PN20)
- C - ISO 7-1 threaded
- D - DIN PN16 flanged
- E - Socket welded nipple
- F - Socket welded nipple w/Class 150 flange (ISO 7005 PN20)
- H - EN1092-1 PN16 (ISO 7005-1 PN16)

**Body material:**

- 1 - Cast iron
- 2 - Carbon steel
- 5 - Stainless steel
- 6 - Low temp carbon steel

**Trim package options and typical material:**

- 1 - 400 series stainless steel seat, hardened ductile iron disc, PEEK follower ring
- 2 - 316SS seat, 316SS disc, PEEK follower ring
- 4 - Oxy clean, trim 2

**Body seals and bumper:**

- Buna o-rings/Buna bumper
- Viton o-rings/Buna bumper
- Viton o-rings/Viton bumper
- Ethylene Propylene o-rings/Ethylene Propylene bumper
- Omniflex o-rings/Buna bumper
- Omniflex o-rings/Viton bumper

Refer to valve body assembly gas compatibility for proper elastomer selection.



## VALVE ACTUATOR OPTIONS

| Automatic reset valve - Actuator options |               |                 |                     |   |                             |              |                             |
|--|---------------|-----------------|---------------------|---|-----------------------------|--------------|-----------------------------|
| Nominal pipe size                        | Flow capacity | Normal position | Area classification | Solenoid OR circuit board voltage       | Motor voltage               | Motor timing | Switch options              |
| 3/4"<br>(DN20)                           | S             | 1, 2            | 1<br>2              | A, B, C, D, E, F, G<br>A, B, C, D, F, G | A, B, C, D, E<br>A, B, C, D | 1, 2<br>1, 2 | 0, 1, 2, 3, 4<br>0, 1, 2, 3 |
| 1"<br>(DN25)                             | S             | 1, 2            | 1<br>2              | A, B, C, D, E, F, G<br>A, B, C, D, F, G | A, B, C, D, E<br>A, B, C, D | 1, 2<br>1, 2 | 0, 1, 2, 3, 4<br>0, 1, 2, 3 |
| 1-1/4"<br>(DN32)                         | S             | 1               | 1<br>2              | A, B, C, D, E, F, G<br>A, B, C, D, F, G | A, B, C, D, E<br>A, B, C, D | 1, 2<br>1, 2 | 0, 1, 2, 3, 4<br>0, 1, 2, 3 |
| 1-1/2"<br>(DN40)                         | S             | 1, 2            | 1<br>2              | A, B, C, D, E, F, G<br>A, B, C, D, F, G | A, B, C, D, E<br>A, B, C, D | 1, 2<br>1, 2 | 0, 1, 2, 3, 4<br>0, 1, 2, 3 |
| 2"<br>(DN50)                             | S             | 1, 2            | 1<br>2              | A, B, C, D, E, F, G<br>A, B, C, D, F, G | A, B, C, D, E<br>A, B, C, D | 1, 2<br>1, 2 | 0, 1, 2, 3, 4<br>0, 1, 2, 3 |
| 2-1/2"<br>(DN65)                         | S             | 1               | 1<br>2              | A, B, C, D, E, F, G<br>A, B, C, D, F, G | A, B, C, D, E<br>A, B, C, D | 1, 2<br>1, 2 | 0, 1, 2, 3, 4<br>0, 1, 2, 3 |
| 3"<br>(DN80)                             | S             | 1               | 1<br>2              | A, B, C, D, E, F, G<br>A, B, C, D, F, G | A, B, C, D, E<br>A, B, C, D | 1, 2<br>1, 2 | 0, 1, 2, 3, 4<br>0, 1, 2, 3 |
| 2-1/2"<br>(DN65)                         | C             | 1, 2            | 1<br>2              | A, B, C, D, E, F, G<br>A, B, C, D, F, G | A, B, C, D, E<br>A, B, C, D | 2<br>2       | 0, 1, 2, 3, 4<br>0, 1, 2, 3 |
| 3"<br>(DN80)                             | C             | 1, 2            | 1<br>2              | A, B, C, D, E, F, G<br>A, B, C, D, F, G | A, B, C, D, E<br>A, B, C, D | 2<br>2       | 0, 1, 2, 3, 4<br>0, 1, 2, 3 |
| 4"<br>(DN100)                            | C             | 1, 2            | 1<br>2              | A, B, C, D, E, F, G<br>A, B, C, D, F, G | A, B, C, D, E<br>A, B, C, D | 2<br>2       | 0, 1, 2, 3, 4<br>0, 1, 2, 3 |
| 4"<br>(DN100)                            | H             | 1               | 1                   | A, B, C, D, G                           | A, B, C, D                  | 3            | 0, 1, 2, 3                  |
| 6"<br>(DN150)                            | H             | 1               | 1                   | A, B, C, D, G                           | A, B, C, D                  | 3            | 0, 1, 2, 3                  |

Flow capacity

S - Standard  
C - CP body construction  
H - High capacity

Normal position

1 - Normally-closed shut-off valve  
2 - Normally-open vent valve

Area classification

1 - General purpose  
2 - Non-incendive, Class I, II and III, Division 2

Solenoid OR circuit board voltage

A - 115VAC 50 Hz  
B - 115VAC 60 Hz  
C - 230VAC 50 Hz  
D - 230VAC 60 Hz  
E - 208VAC 50 Hz  
F - 24VDC  
G - 120VDC

Motor voltage

A - 115VAC 50 Hz  
B - 115VAC 60 Hz  
C - 230VAC 50 Hz  
D - 230VAC 60 Hz  
E - 24VDC

Motor timing

1 - 2.5 Sec (3 Sec on 50 Hz)  
2 - 6 Sec (7 Sec on 50 Hz)  
3 - 12 Sec (14 Sec on 50 Hz)

Switch options

0 - VOS1/None  
1 - VOS1/VCS1  
2 - VOS2/VCS2  
3 - VOS2/VCS1  
4 - VOS1HC/VCS1HC

GAS ELECTRO-MECHANICAL VALVES

| Manual reset valve - Actuator options |               |                 |                     |   |                           |                          |
|---------------------------------------|---------------|-----------------|---------------------|---|---------------------------|--------------------------|
| Nominal pipe size                     | Flow capacity | Normal position | Area classification | Solenoid voltage                        | Handle side plate options | Switch options           |
| 3/4"<br>(DN20)                        | S             | 1               | 1<br>2              | A, B, C, D, E, F, G<br>A, B, C, D, F, G | A<br>A                    | 0, 1, 2, 3<br>0, 1, 2, 3 |
|                                       |               | 2               | 1<br>2              | A, B, C, D, E, F, G<br>A, B, C, D, F, G | A<br>A                    | 0, 1, 2, 3<br>0, 1, 2, 3 |
| 1"<br>(DN25)                          | S             | 1               | 1<br>2              | A, B, C, D, E, F, G<br>A, B, C, D, F, G | A<br>A                    | 0, 1, 2, 3<br>0, 1, 2, 3 |
|                                       |               | 2               | 1<br>2              | A, B, C, D, E, F, G<br>A, B, C, D, F, G | A<br>A                    | 0, 1, 2, 3<br>0, 1, 2, 3 |
| 1-1/4"<br>(DN32)                      | S             | 1               | 1<br>2              | A, B, C, D, E, F, G<br>A, B, C, D, F, G | A<br>A                    | 0, 1, 2, 3<br>0, 1, 2, 3 |
| 1-1/2"<br>(DN40)                      | S             | 1               | 1<br>2              | A, B, C, D, E, F, G<br>A, B, C, D, F, G | A<br>A                    | 0, 1, 2, 3<br>0, 1, 2, 3 |
|                                       |               | 2               | 1<br>2              | A, B, C, D, E, F, G<br>A, B, C, D, F, G | A<br>A                    | 0, 1, 2, 3<br>0, 1, 2, 3 |
| 2"<br>(DN50)                          | S             | 1               | 1<br>2              | A, B, C, D, E, F, G<br>A, B, C, D, F, G | A<br>A                    | 0, 1, 2, 3<br>0, 1, 2, 3 |
|                                       |               | 2               | 1<br>2              | A, B, C, D, E, F, G<br>A, B, C, D, F, G | A<br>A                    | 0, 1, 2, 3<br>0, 1, 2, 3 |
| 2-1/2"<br>(DN65)                      | S             | 1               | 1<br>2              | A, B, C, D, E, F, G<br>A, B, C, D, F, G | A<br>A                    | 0, 1, 2, 3<br>0, 1, 2, 3 |
| 3"<br>(DN80)                          | S             | 1               | 1<br>2              | A, B, C, D, E, F, G<br>A, B, C, D, F, G | A<br>A                    | 0, 1, 2, 3<br>0, 1, 2, 3 |
| 2-1/2"<br>(DN65)                      | C             | 1               | 1<br>2              | A, B, C, D, E, F, G<br>A, B, C, D, F, G | A<br>A                    | 0, 1, 2, 3<br>0, 1, 2, 3 |
|                                       |               | 2               | 2                   | A, B, C, D, F, G                        | A                         | 0, 1, 2, 3               |
| 3"<br>(DN80)                          | C             | 1               | 1<br>2              | A, B, C, D, E, F, G<br>A, B, C, D, F, G | A<br>A                    | 0, 1, 2, 3<br>0, 1, 2, 3 |
|                                       |               | 2               | 2                   | A, B, C, D, F, G                        | A                         | 0, 1, 2, 3               |
| 4"<br>(DN100)                         | C             | 1               | 1<br>2              | A, B, C, D, E, F, G<br>A, B, C, D, F, G | A<br>A                    | 0, 1, 2, 3<br>0, 1, 2, 3 |
|                                       |               | 2               | 2                   | A, B, C, D, F, G                        | A                         | 0, 1, 2, 3               |
| 6"<br>(DN150)                         | S             | 1               | 1                   | A, B, C, D, E                           | A                         | 0, 1, 2, 3               |
|                                       |               |                 | 2                   | A, B, C, D                              | A                         | 0, 1, 2, 3               |

Flow capacity

S - Standard  
C - CP body construction  
H - High capacity

Normal position

1 - Normally-closed shut-off valve  
2 - Normally-open vent valve

Area classification

1 - General purpose  
2 - Non-incendive, Class I, II and III, Div 2

Solenoid voltage

A - 115VAC 50 Hz  
B - 115VAC 60 Hz  
C - 230VAC 50 Hz  
D - 230VAC 60 Hz  
E - 208VAC 50 Hz  
F - 24VDC  
G - 120VDC

Handle side plate options

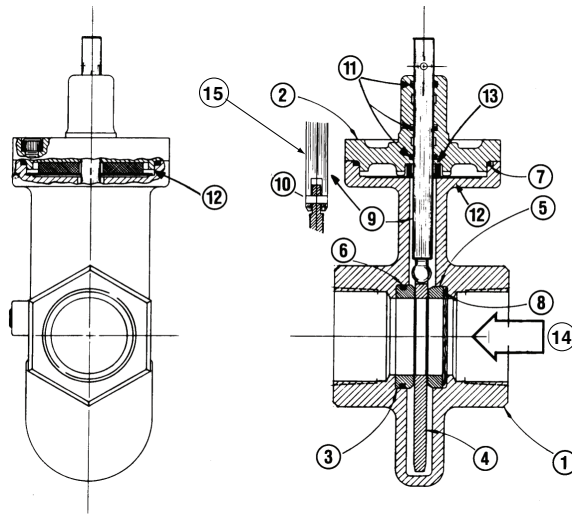
A - Standard handle

Switch options

0 - None  
1 - VOS1/VCS1  
2 - VOS2/VCS2  
3 - VOS2/VCS1

**VALVE BODY ASSEMBLY SPECIFICATIONS**

- 1) Body
- 2) Bonnet
- 3) Seat
- 4) Disc
- 5) Follower ring
- 6) Seat o-ring
- 7) Body o-ring
- 8) Wavy spring
- 9) Stem
- 10) Spring pin
- 11) Stem o-ring
- 12) Striker plate
- 13) Bumper
- 14) Flow direction
- 15) Typical stem/disc connection used with smaller sized valves



Threaded C body design shown

| Body and bonnet materials |             |                    |                    |                    |                       |
|---------------------------|-------------|--------------------|--------------------|--------------------|-----------------------|
| Item number               | Description | Material code      |                    |                    |                       |
|                           |             | 1                  | 2                  | 5                  | 6                     |
| 1                         | Body        | Cast iron          | Carbon steel       | Stainless steel    | Low temp carbon steel |
| 2                         | Bonnet      | ASTM A126, Class B | ASTM A216, Gr. WCB | ASTM A351 Gr. CF8M | ASTM A352 Gr. LCB     |

| Body seals and bumper material |             |  |
|--------------------------------|-------------|--|
| Item number                    | Description | Material   |
| 6                              | Seat o-ring | Buna o-rings/Buna bumper<br>Viton o-rings/Buna bumper<br>Viton o-rings/Viton bumper<br>Ethylene Propylene o-rings/Ethylene Propylene bumper<br>Omniflex o-rings/Buna bumper<br>Omniflex o-rings/Viton bumper |
| 7                              | Body o-ring |  |
| 11                             | Stem o-ring |  |
| 13                             | Bumper      |  |

| Trim package materials |                            |                            |                            |
|------------------------|----------------------------|----------------------------|----------------------------|
| Item number            | Description                | Internal trim package      |                            |
|                        |                            | 1                          | 2                          |
| 3                      | Seat                       | 400 series stainless steel | 316 stainless steel        |
| 4                      | Disc                       | Hardened ductile iron      | 316 stainless steel        |
| 5                      | Follower ring              | PEEK                       | PEEK                       |
| 8                      | Wavy spring                | 300 series stainless steel |                            |
| 9                      | Stem                       | 17-4 PH stainless steel    |                            |
| 10                     | Spring pin (when required) | Carbon steel               | 400 series stainless steel |
| 12                     | Striker plate              | 17-7 PH stainless steel    |                            |

**VALVE BODY ASSEMBLY - GAS COMPATIBILITY**

| Gas                         | Gas code | Suggested material options |               |                          | MOPD rating       | Agency approvals and certifications |                  |                 |     |     |                 |
|-----------------------------|----------|----------------------------|---------------|--------------------------|-------------------|-------------------------------------|------------------|-----------------|-----|-----|-----------------|
|                             |          | Body seals & bumper        | Body & bonnet | Trim option <sup>7</sup> |                   | FM                                  | CSA <sup>3</sup> | CE <sup>4</sup> |     |     | UL <sup>3</sup> |
|                             |          |                            |               |                          |                   |                                     |                  | GAR             | LVD | PED |                 |
| Air                         | AIR      | A, B, C, E, F              | 1, 2, 5, 6    | 1, 2                     | Std.              | X                                   | X                |                 | X   | X   | X               |
| Ammonia                     | AMM      | A, D, E                    | 1, 2, 5, 6    | 1, 2                     | Std.              | X                                   |                  |                 | X   | X   |                 |
| Butane gas                  | BUT      | A, B, C, E, F              | 1, 2, 5, 6    | 1, 2                     | Std.              | X                                   | X                | X               | X   | X   | X               |
| Coke oven gas               | COKE     | C, F                       | 1, 2, 5, 6    | 2                        | Note <sup>5</sup> | X                                   |                  |                 | X   | X   |                 |
| Digester <sup>1</sup>       | DIG      | Analysis required          | 5             | 2                        | Note <sup>5</sup> | X                                   |                  |                 | X   | X   |                 |
| Endothermic AGA             | ENDO     | A, B, C, E, F              | 1, 2, 5, 6    | 1, 2                     | Std.              | X                                   | X                |                 | X   | X   | X               |
| Exothermic gas              | EXO      | A, B, C, E, F              | 1, 2, 5, 6    | 1, 2                     | Std.              | X                                   | X                |                 | X   | X   | X               |
| Hydrogen gas                | HYD      | A, B, C, E, F              | 1, 2, 5, 6    | 1, 2                     | Note <sup>2</sup> | X                                   |                  |                 | X   | X   |                 |
| Manufactured <sup>1</sup>   | MFGD     | Analysis required          | 5             | 2                        | Std.              | X                                   | X                |                 | X   | X   |                 |
| Natural gas                 | NAT      | A, B, C, E, F              | 1, 2, 5, 6    | 1, 2                     | Std.              | X                                   | X                | X               | X   | X   | X               |
| Nitrogen                    | NIT      | A, B, C, E, F              | 1, 2, 5, 6    | 1, 2                     | Std.              | X                                   | X                |                 | X   | X   | X               |
| No. 1 fuel oil <sup>6</sup> | NO1OIL   | A, B, C, E, F              | 1, 2, 5, 6    | 1, 2                     | Std.              | X                                   | X                |                 | X   | X   | X               |
| No. 2 fuel oil <sup>6</sup> | NO2OIL   | A, B, C, E, F              | 1, 2, 5, 6    | 1, 2                     | Std.              | X                                   | X                |                 | X   | X   | X               |
| Oxygen (hi p)               | OXYH     | C, D, F                    | 2, 5, 6       | 4                        | 125 psig          | X                                   |                  |                 | X   | X   |                 |
| Oxygen (lo p)               | OXYL     | C, D, F                    | 1, 2, 5, 6    | 4                        | 30 psig           | X                                   |                  |                 | X   | X   |                 |
| Propane                     | PROP     | A, B, C, E, F              | 1, 2, 5, 6    | 1, 2                     | Std.              | X                                   | X                | X               | X   | X   | X               |
| Refinery <sup>1</sup>       | REF      | Analysis required          | 5             | 2                        | Note <sup>5</sup> | X                                   |                  |                 | X   | X   |                 |
| Sour natural <sup>1</sup>   | SOUR     | Analysis required          | 5             | 2                        | Note <sup>5</sup> | X                                   |                  |                 | X   | X   |                 |
| Town gas <sup>1</sup>       | TOWN     | Analysis required          | 5             | 2                        | Std.              | X                                   | X                | X               | X   | X   |                 |
| Land fill gas <sup>1</sup>  | LAND     | Analysis required          | 5             | 2                        | Note <sup>5</sup> | X                                   |                  |                 | X   | X   |                 |

<sup>1</sup> Other body and trim packages may be acceptable pending fuel analysis. For pricing inquiries, Viton or Omniflex o-rings should be used. Contact MAXON for details.

<sup>2</sup> Valve maximum operating pressure differential (MOPD) to be reduced by 25% from standard ratings.

<sup>3</sup> ISO connections are not recognized by CSA or UL standards

<sup>4</sup> SMA11, CMA11, SMM11, CMM11, SMA21, CMA21, SMM21 Series electro-mechanical valves meet the essential requirements of the Low Voltage (2014/35/EU), EMC (2014/30/EU), Gas Appliance - GAR (EU) 2016/426, and Pressure Equipment (2014/68/EU) Directives. The Gas Appliance Regulation only covers the use of commercially available fuels (natural gas, butane, town gas and propane). The Pressure Equipment Directive does not cover MAXON valves with Cast Iron Bodies or sizes larger than 4" (DN100).

<sup>5</sup> Special service fuels: Valve maximum operating pressure differential (MOPD) to be reduced from standard ratings

<sup>6</sup> Running Fuel Oil in gas valves limits operation to no more than 5 open/close cycles per day.

<sup>7</sup> Trim Option 1 is only allowed with body and bonnet Option 1.

**Body seals & bumper:**

- A - Buna o-rings/Buna bumper
- B - Viton o-rings/Buna bumper
- C - Viton o-rings/Viton bumper
- D - Ethylene propylene o-rings/Ethylene propylene bumper
- E - Omniflex o-rings/Buna bumper
- F - Omniflex o-rings/Viton bumper

**Body & bonnet:**

- 1 - Cast iron
- 2 - Carbon steel
- 5 - Stainless steel
- 6 - Low temp carbon steel

**Trim package:**

- 1 - Trim package 1
- 2 - Trim package 2
- 4 - Trim package 2, oxy clean

## ELECTRICAL DATA

### General

MAXON shut-off valves are electrically actuated from a power source. Standard assemblies include an internal holding solenoid or clutch and printed circuit board.

Position switch wiring diagrams (reproduced below) are part of each valve assembly, summarizing electrical data and wiring for a valve equipped with terminal block and a full complement of optional switches.

Good practice normally dictates that auxiliary switches in valves should be used for signal duty only, not to operate additional safety devices.

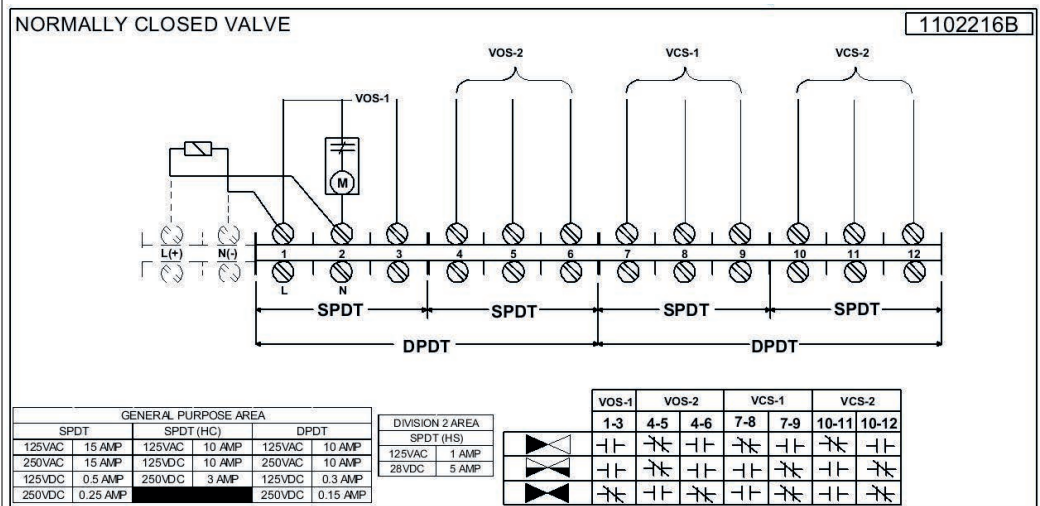
Valve position switches are offered in SPDT (single pole/double throw). Recommended packages include one open switch and one closed switch (VOS1/VCS1). Additional auxiliary switches are designated by VOS2/VCS2.

VCS (valve closed switch) is actuated at the end of the closing stroke. VOS (valve open switch) is actuated at the end of the opening stroke.

Switch amperage ratings are shown on the schematic wiring diagrams below. DO NOT EXCEED rated amperage or total load shown. Diagrams show valve with a full complement of switches. For normally-closed valves, the wiring diagram illustrates the switch contact positions with the valve closed. For normally-open valves, the wiring diagram illustrates the switch contact position with the valve open.

Figure 1: Normally-closed shut-off valves

S and C Model valves



H Model valves  
(4" & 6" sizes only)

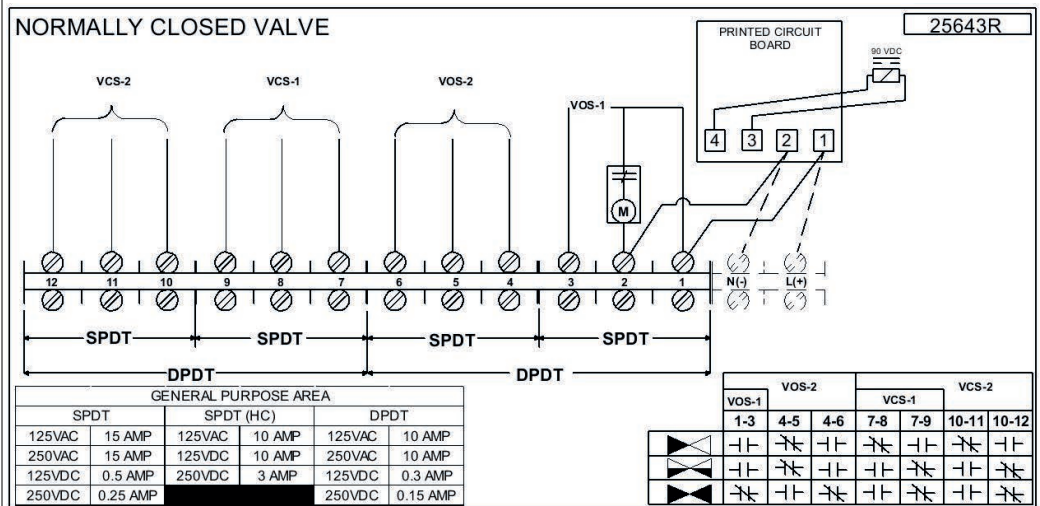
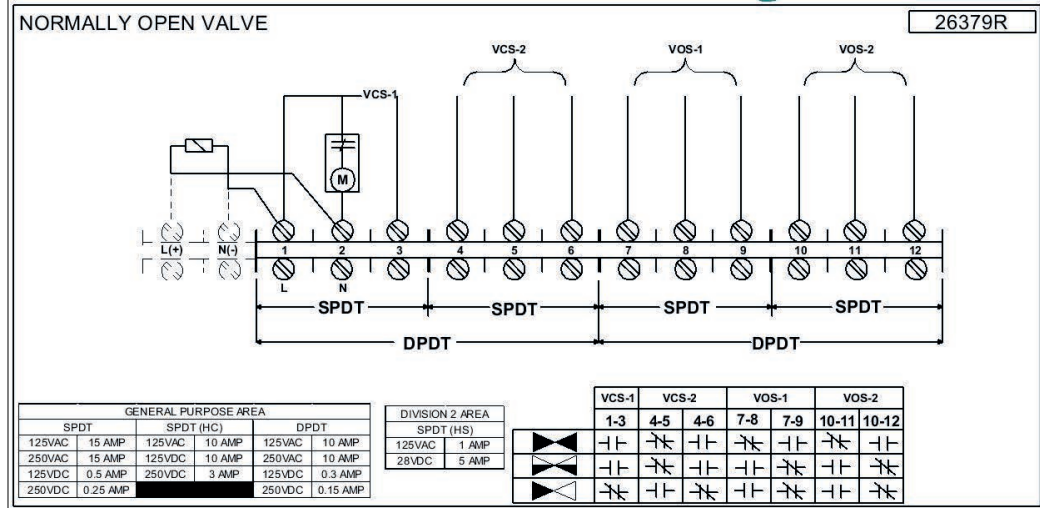


Figure 2: Normally-open valves

S and C Model valves



### Available voltages and electrical data - General Purpose areas

All MAXON valves are electrically actuated from a power source through the flame safeguard and/or safety control circuits. Standard valve assemblies include an internal holding solenoid on S and C body constructions, or a printed circuit board on high capacity valves. The solenoid (or printed circuit board) is energized whenever the valve is powered. The motor operator on automatic reset valves is powered only during the opening stroke for normally-closed valves, or the closing stroke for normally-open versions.

#### S and C Body Constructions

| Solenoids              |       |                  |       |                                  |       |
|------------------------|-------|------------------|-------|----------------------------------|-------|
| 3/4" - 1-1/2" S Models |       | 2" - 3" S Models |       | 2-1/2"C - 4"C Model & 6" S Model |       |
| Voltage                | Power | Voltage          | Power | Voltage                          | Power |
| 115VAC, 50 Hz          | 23VA  | 115VAC, 50 Hz    | 23VA  | 115VAC, 50 Hz                    | 40VA  |
| 115VAC, 60 Hz          | 23VA  | 115VAC, 60 Hz    | 23VA  | 115VAC, 60 Hz                    | 40VA  |
| 230VAC, 50 Hz          | 23VA  | 230VAC, 50 Hz    | 23VA  | 230VAC, 50 Hz                    | 40VA  |
| 230VAC, 60 Hz          | 23VA  | 230VAC, 60 Hz    | 23VA  | 230VAC, 60 Hz                    | 40VA  |
| 208VAC, 50 Hz          | 23VA  | 208VAC, 50 Hz    | 23VA  | 208VAC, 50 Hz                    | 40VA  |
| 24VDC                  | 14W   | 24VDC            | 24W   | 24VDC                            | 24W   |
| 120VDC                 | 14W   | 120VDC           | 34W   | 120VDC                           | 34W   |

| Motor operators |       |
|-----------------|-------|
| Voltage         | Power |
| 115VAC, 50 Hz   | 322VA |
| 115VAC, 60 Hz   | 196VA |
| 230VAC, 50 Hz   | 322VA |
| 230VAC, 60 Hz   | 198VA |
| 24VDC           | 60W   |

#### TO DETERMINE VALVE OPENING POWER: (OR CLOSING POWER FOR NORMALLY-OPEN VERSIONS)

##### Automatic reset valves

- Total power is the sum of the motor and solenoid power ratings for the appropriate voltage/frequency in the tables above.
- If supply voltages are different, then the circuits must be segregated.

##### Manual reset valves

- Total power consists of only the solenoid power rating.

#### TO DETERMINE VALVE HOLDING POWER:

- Holding power consists of the solenoid power rating for the appropriate voltage/frequency.

#### 4" and 6" H Model valves

| Printed circuit boards |       |
|------------------------|-------|
| Voltage                | Power |
| 115VAC, 50 Hz          | 13VA  |
| 115VAC, 60 Hz          | 13VA  |
| 230VAC, 50 Hz          | 25VA  |
| 230VAC, 60 Hz          | 25VA  |
| 120VDC                 | 14W   |

| Motor operators |       |
|-----------------|-------|
| Voltage         | Power |
| 115VAC, 50 Hz   | 667VA |
| 115VAC, 60 Hz   | 391VA |
| 230VAC, 50 Hz   | 667VA |
| 230VAC, 60 Hz   | 391VA |

#### TO DETERMINE VALVE OPENING POWER:

- Total power is the sum of the motor and printed circuit board power ratings for the appropriate voltage/frequency in the tables shown.
- If supply voltages are different, then the circuits must be segregated.

#### TO DETERMINE VALVE HOLDING POWER:

- Holding power consists of the printed circuit board power rating for the appropriate voltage/frequency.

## Available voltages and electrical data - Non-incendive areas

All MAXON valves are electrically actuated from a power source through the flame safeguard and/or safety control circuits. Standard valve assemblies include an internal holding solenoid on S and C body constructions, or a printed circuit board on high capacity valves. The solenoid (or printed circuit board) is energized whenever the valve is powered. The motor operator on automatic reset valves is powered only during the opening stroke for normally-closed valves, or the closing stroke for normally-open versions.

### S and C Body Constructions

| Solenoids              |       |                  |       |                                   |       |
|------------------------|-------|------------------|-------|-----------------------------------|-------|
| 3/4" - 1-1/2" S Models |       | 2" - 3" S Models |       | 2-1/2"C - 4"C Models & 6" S Model |       |
| Voltage                | Power | Voltage          | Power | Voltage                           | Power |
| 115VAC, 50 Hz          | 23VA  | 115VAC, 50 Hz    | 23VA  | 115VAC, 50 Hz                     | 34VA  |
| 115VAC, 60 Hz          | 16VA  | 115VAC, 60 Hz    | 16VA  | 115VAC, 60 Hz                     | 26VA  |
| 230VAC, 50 Hz          | 23VA  | 230VAC, 50 Hz    | 23VA  | 230VAC, 50 Hz                     | 34VA  |
| 230VAC, 60 Hz          | 16VA  | 230VAC, 60 Hz    | 16VA  | 230VAC, 60 Hz                     | 26VA  |
| 24VDC                  | 18W   | 24VDC            | 24W   | 24VDC                             | 24W   |
| 120VDC                 | 26W   | 120VDC           | 34W   | 120VDC                            | 34W   |

| Motor operators |       |
|-----------------|-------|
| Voltage         | Power |
| 115VAC, 50 Hz   | 322VA |
| 115VAC, 60 Hz   | 196VA |
| 230VAC, 50 Hz   | 322VA |
| 230VAC, 60 Hz   | 198VA |

### TO DETERMINE VALVE OPENING POWER: (OR CLOSING POWER FOR NORMALLY-OPEN VERSIONS)

#### Automatic reset valves

- Total power is the sum of the motor and solenoid power ratings for the appropriate voltage/frequency in the tables above.
- If supply voltages are different, then the circuits must be segregated.

#### Manual reset valves

- Total power consists of only the solenoid power rating.

#### To determine valve HOLDING power:

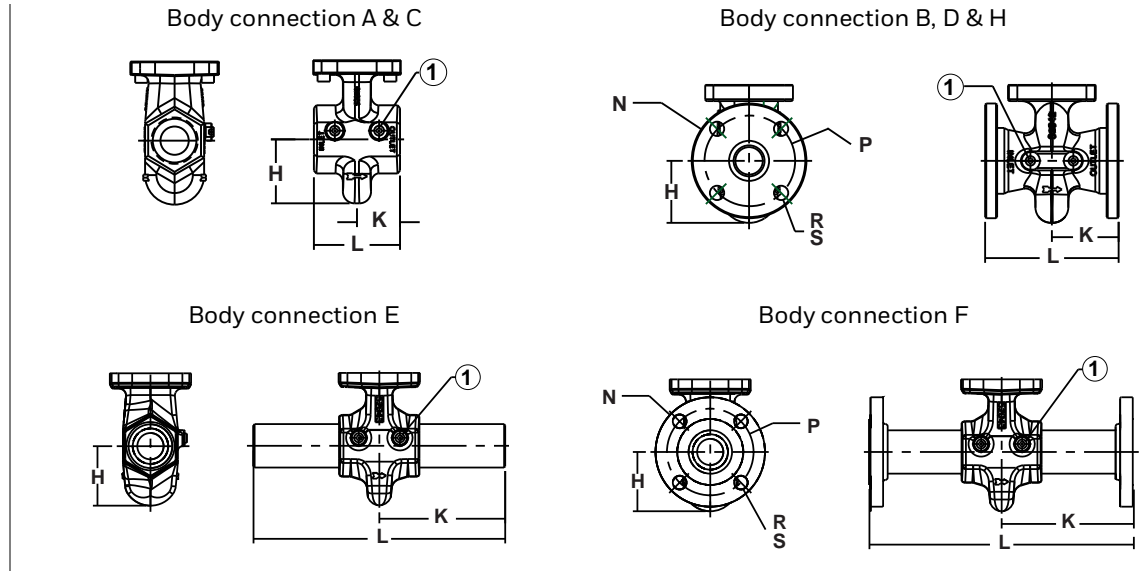
- Holding power consists of the solenoid power rating for the appropriate voltage/frequency.



**DIMENSIONS AND WEIGHTS**

**Valve bodies: 3/4" (DN20) to 3" (DN80)**

1) (2) 1/4" NPT  
(DN 8)  
test connection



| Valve size    | Flow capacity | Body Connection | Body/bonnet material           | Approximate dimensions (in inches) |     |      |      |     |      |              | Approximate weight (in lbs) |                   |              |
|---------------|---------------|-----------------|--------------------------------|------------------------------------|-----|------|------|-----|------|--------------|-----------------------------|-------------------|--------------|
|               |               |                 |                                | H                                  | K   | L    | N Ø  | P Ø | R Ø  | S # of holes | Body assembly               | Actuator assembly | Total weight |
| 3/4" (DN20)   | S             | A, C            | Cast iron                      | 2.0                                | 1.9 | 3.8  | N/A  |     |      |              | 8                           | 11                | 19           |
|               |               | A, C            | Carbon steel & stainless steel |                                    | 6.9 | 13.8 | N/A  |     |      |              | 9                           |                   | 20           |
|               |               | E               |                                |                                    | 7.3 | 14.5 | 3.9  | 2.8 | 0.62 | 4            | 13                          |                   | 21.5         |
|               |               | F               |                                |                                    | 7.3 | 14.5 | 4.3  | 3.1 | 0.62 | 4            | 15                          |                   | 24           |
| 1" (DN25)     | S             | A, C            | Cast iron                      | 2.7                                | 1.9 | 3.8  | N/A  |     |      |              | 8                           | 11                | 19           |
|               |               | A, C            | Carbon steel & stainless steel |                                    | 6.9 | 13.8 | N/A  |     |      |              | 9                           |                   | 20           |
|               |               | E               |                                |                                    | 7.3 | 14.5 | 4.3  | 3.1 | 0.62 | 4            | 15                          |                   | 22           |
|               |               | F               |                                |                                    | 7.3 | 14.5 | 4.3  | 3.1 | 0.62 | 4            | 15                          |                   | 26           |
| 1-1/4" (DN32) | S             | A, C            | Cast iron                      | 2.4                                | 2.0 | 4.0  | N/A  |     |      |              | 9                           | 11                | 20           |
| 1-1/2" (DN40) | S             | A, C            | Cast iron                      | 2.7                                | 2.2 | 4.4  | N/A  |     |      |              | 11                          |                   | 22           |
|               |               | A, C            | Carbon steel & stainless steel |                                    | 6.8 | 13.6 | N/A  |     |      |              | 11                          |                   | 22           |
|               |               | E               |                                |                                    | 7.2 | 14.4 | 5.0  | 3.9 | 0.62 | 4            | 14                          |                   | 25           |
|               |               | F               |                                |                                    | 7.2 | 14.4 | 5.0  | 3.9 | 0.62 | 4            | 21                          | 32                |              |
| 2" (DN50)     | S             | A, C            | Cast iron                      | 3.3                                | 2.2 | 4.4  | N/A  |     |      |              | 16                          | 13                | 29           |
|               |               | B               |                                |                                    | 3.5 | 7.0  | 6.0  | 4.8 | 0.75 | 4            | 26                          |                   | 39           |
|               |               | D, H            |                                |                                    | 6.5 | 4.9  | 0.71 | 26  | 39   |              |                             |                   |              |
|               |               | A, C            | Carbon steel & stainless steel |                                    | 2.2 | 4.4  | N/A  |     |      |              | 18                          |                   | 31           |
|               |               | E               |                                |                                    | 6.9 | 13.8 | N/A  |     |      |              | 23                          |                   | 36           |
|               |               | F               |                                |                                    | 7.3 | 14.5 | 6.0  | 4.8 | 0.75 | 4            | 33                          |                   | 46           |
| 2-1/2" (DN65) | S             | A, C            | Cast iron                      | 2.9                                | 2.5 | 5.0  | N/A  |     |      |              | 19                          | 13                | 32           |
|               |               | B               |                                | 3.1                                | 3.8 | 7.5  | 7.0  | 5.5 | 0.75 | 4            | 30                          |                   | 43           |
|               |               | D, H            |                                | 7.3                                | 5.7 | 0.71 | 30   | 43  |      |              |                             |                   |              |
|               |               | D, H            |                                | 7.3                                | 5.7 | 0.71 | 30   | 43  |      |              |                             |                   |              |
| 3" (DN80)     | S             | A, C            | Cast iron                      | 3.0                                | 2.6 | 5.2  | N/A  |     |      |              | 20                          | 13                | 33           |

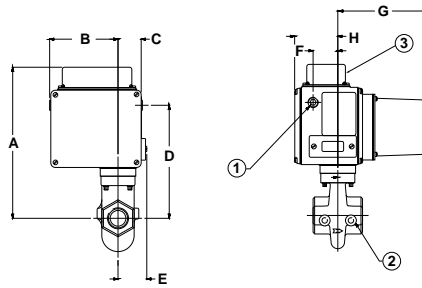
**Flow capacity:**  
S - Standard  
C - CP body construction  
H - High capacity

**Body connection:**  
A - NPT  
B - ANSI flanged (ISO 7005 PN20)  
C - ISO 7-1 threaded

D - DIN PN16 flanged  
E - Socket welded nipple  
F - Socket welded nipple w/Class 150 flange (ISO 7005 PN20)  
H - EN 1092-1 PN16 (ISO 7005-1 PN16)

**Valve actuators: 3/4” through 1-1/2” valves**

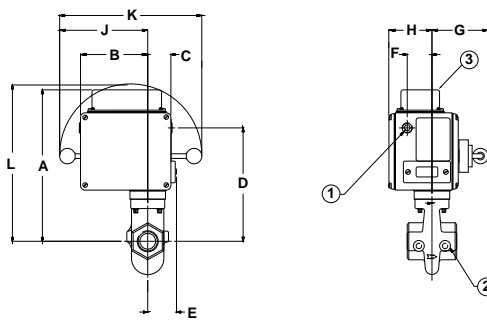
Automatic reset type (SMA11, SMA21, SMA12, SMA22)



- 1) (2) 3/4” NPT  
(DN 20)  
conduit connection
- 2) (2) 1/4” NPT (DN 8)  
test connection
- 3) Terminal block  
cover

NOTE: 2.75” needed  
for terminal block  
cover removal

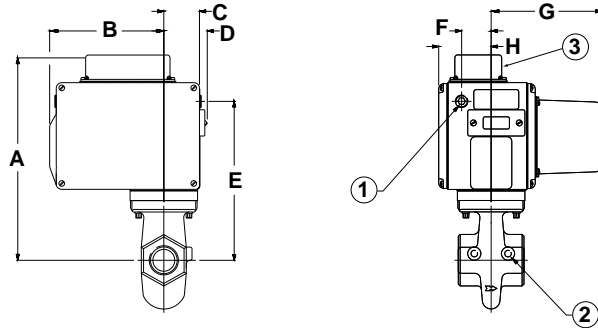
Manual reset type (SMM11, SMM21, SMM12, SMM22)



| Valve size       | Flow capacity | Valve type    | Approximate dimensions (in inches) |     |      |      |     |   |      |      |      |      |       |
|------------------|---------------|---------------|------------------------------------|-----|------|------|-----|---|------|------|------|------|-------|
|                  |               |               | A                                  | B   | C    | D    | E   | F | G    | H    | J    | K    | L     |
| 3/4”<br>(DN20)   | S             | MM11,<br>MM21 | 12.25                              | 5.5 | 1.87 | 8.11 | 2.3 | 2 | 4.5  | 3.49 | 7.13 | 11.5 | 11.58 |
|                  |               | MM12,<br>MM22 |                                    |     |      |      |     |   | 7.34 |      |      |      |       |
|                  |               | MA11, MA21    |                                    |     |      |      |     |   |      |      |      |      |       |
|                  |               | MA12, MA22    |                                    |     |      |      |     |   |      |      |      |      |       |
| 1”<br>(DN25)     | S             | MM11,<br>MM21 | 12.25                              | 5.5 | 1.87 | 8.11 | 2.3 | 2 | 4.5  | 3.49 | 7.13 | 11.5 | 11.58 |
|                  |               | MM12,<br>MM22 |                                    |     |      |      |     |   | 7.34 |      |      |      |       |
|                  |               | MA11, MA21    |                                    |     |      |      |     |   |      |      |      |      |       |
|                  |               | MA12, MA22    |                                    |     |      |      |     |   |      |      |      |      |       |
| 1-1/4”<br>(DN32) | S             | MM11          | 12.81                              | 5.5 | 1.87 | 8.67 | 2.3 | 2 | 4.5  | 3.49 | 7.13 | 11.5 | 12.14 |
|                  |               | MM12          |                                    |     |      |      |     |   | 7.34 |      |      |      |       |
|                  |               | MA11          |                                    |     |      |      |     |   |      |      |      |      |       |
|                  |               | MA12          |                                    |     |      |      |     |   |      |      |      |      |       |
| 1-1/2”<br>(DN40) | S             | MM11,<br>MM21 | 13.31                              | 5.5 | 1.87 | 9.14 | 2.3 | 2 | 4.5  | 3.49 | 7.13 | 11.5 | 12.61 |
|                  |               | MM12,<br>MM22 |                                    |     |      |      |     |   | 7.34 |      |      |      |       |
|                  |               | MA11, MA21    |                                    |     |      |      |     |   |      |      |      |      |       |
|                  |               | MA12, MA22    |                                    |     |      |      |     |   |      |      |      |      |       |

**Valve actuators: 2” through 3” valves**

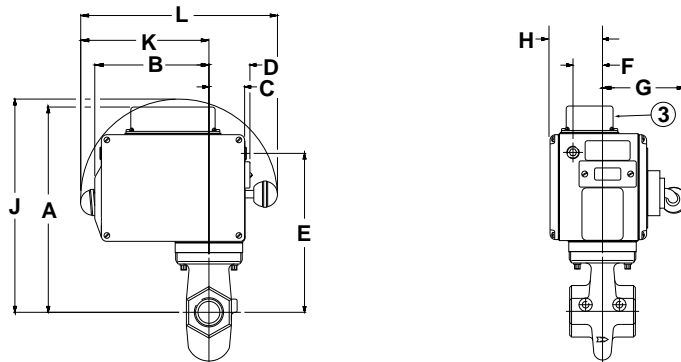
Automatic reset type (SMA11, SMA21, SMA12, SMA22)



- 1) (2) 3/4” NPT (DN 20) conduit connection
- 2) (2) 1/4” NPT (DN 8) test connection
- Terminal block cover

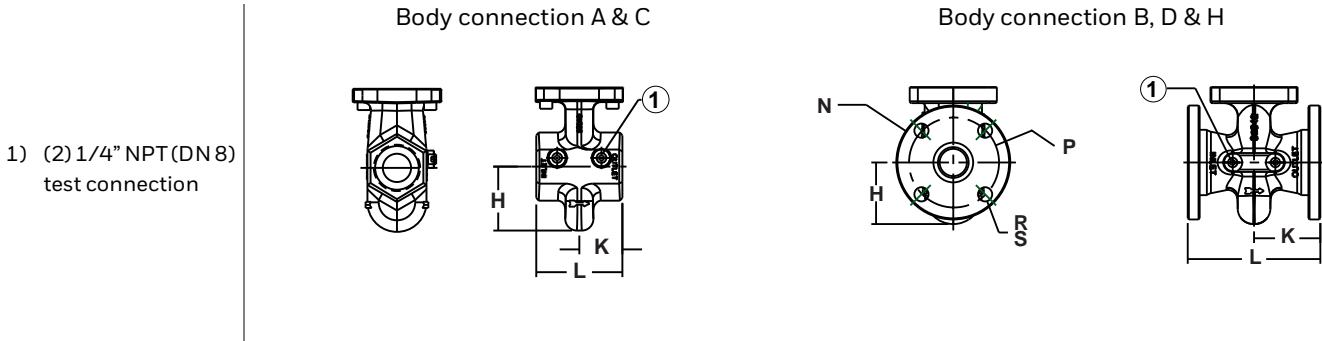
NOTE: 2.75” needed for terminal block removal

Manual reset type (SMM11, SMM21, SMM12, SMM22)



| Valve size       | Flow capacity | Valve type    | Approximate dimensions (in inches) |      |      |     |       |      |      |     |       |      |       |
|------------------|---------------|---------------|------------------------------------|------|------|-----|-------|------|------|-----|-------|------|-------|
|                  |               |               | A                                  | B    | C    | D   | E     | F    | G    | H   | J     | K    | L     |
| 2”<br>(DN50)     | S             | MM11,<br>MM21 | 14.75                              | 7.61 | 2.38 | 2.9 | 10.6  | 1.97 | 5.63 | 3.5 | 14.38 | 8.55 | 13.12 |
|                  |               | MM12,<br>MM22 |                                    |      |      |     |       |      | 7.51 |     |       |      |       |
|                  |               | MA11, MA21    |                                    |      |      |     |       |      |      |     |       |      |       |
|                  |               | MA12, MA22    |                                    |      |      |     |       |      |      |     |       |      |       |
| 2-1/2”<br>(DN65) | S             | MM11          | 14.62                              | 7.61 | 2.38 | 2.9 | 10.46 | 1.97 | 5.63 | 3.5 | 14.25 | 8.55 | 13.12 |
|                  |               | MM12          |                                    |      |      |     |       |      | 7.51 |     |       |      |       |
|                  |               | MA11          |                                    |      |      |     |       |      |      |     |       |      |       |
|                  |               | MA12          |                                    |      |      |     |       |      |      |     |       |      |       |
| 3”<br>(DN80)     | S             | MM11          | 14.86                              | 7.61 | 2.38 | 2.9 | 10.71 | 1.97 | 5.63 | 3.5 | 14.49 | 8.55 | 13.12 |
|                  |               | MM12          |                                    |      |      |     |       |      | 7.51 |     |       |      |       |
|                  |               | MA11          |                                    |      |      |     |       |      |      |     |       |      |       |
|                  |               | MA12          |                                    |      |      |     |       |      |      |     |       |      |       |

**Valve bodies: 2-1/2" C (DN65), 3" C (DN80), 4" C (DN100) and 6" S (DN150)**



| Valve size    | Flow capacity | Body connection | Body/bonnet material           | Approximate dimensions (in inches) |      |      |      |      |      |             | Approximate weight (in lbs) |                   |              |
|---------------|---------------|-----------------|--------------------------------|------------------------------------|------|------|------|------|------|-------------|-----------------------------|-------------------|--------------|
|               |               |                 |                                | H                                  | K    | L    | N Ø  | P Ø  | R Ø  | S #of holes | Body assembly               | Actuator assembly | Total weight |
| 2-1/2" (DN65) | C             | A, C            | Cast iron                      | 4.3                                | 2.5  | 5.0  | N/A  |      |      |             | 19                          | 15                | 34           |
|               |               | B               |                                | 4.5                                | 3.8  | 7.5  | 7.0  | 5.5  | 0.75 | 4           | 31                          |                   | 46           |
|               |               | D               |                                |                                    |      |      | 7.3  | 5.7  | 0.71 |             | 31                          |                   | 46           |
|               |               | H               |                                |                                    |      |      | 7.3  | 5.7  | 0.71 | 8           | 31                          |                   | 46           |
|               |               | B               | Carbon steel & stainless steel | 4.5                                | 3.8  | 7.5  | 7.0  | 5.5  | 0.75 | 4           | 34                          |                   | 49           |
|               |               | D               |                                |                                    |      |      | 7.3  | 5.7  | 0.71 |             | 34                          |                   | 49           |
|               |               | H               |                                |                                    |      |      | 7.3  | 5.7  | 0.71 | 8           | 30                          |                   | 45           |
| 3" (DN80)     | C             | A, C            | Cast iron                      | 5.1                                | 2.8  | 5.5  | N/A  |      |      |             | 24                          | 15                | 39           |
|               |               | B               |                                | 5.2                                | 4.0  | 8.0  | 7.5  | 6.0  | 0.75 | 4           | 46                          |                   | 61           |
|               |               | D, H            | 7.9                            |                                    |      |      | 6.3  | 0.71 | 8    | 46          | 61                          |                   |              |
|               |               | B               | Carbon steel & stainless steel |                                    |      |      | 7.5  | 6.0  | 0.75 | 4           | 47                          |                   | 62           |
|               |               | D, H            |                                | 7.9                                | 6.3  | 0.71 | 8    | 47   | 62   |             |                             |                   |              |
| 4" (DN100)    | C             | B               | Cast iron                      | 5.5                                | 4.5  | 9.0  | 9.0  | 7.5  | 0.75 | 8           | 64                          | 79                |              |
|               |               | D, H            |                                |                                    |      |      | 8.7  | 7.1  | 0.71 |             | 64                          | 79                |              |
|               |               | B               | Carbon steel & stainless steel | 9.0                                | 7.5  | 0.75 | 8    | 64   | 79   |             |                             |                   |              |
|               |               | D, H            |                                | 8.7                                | 7.1  | 0.71 |      | 64   | 79   |             |                             |                   |              |
| 6" (DN150)    | S             | B               | Cast iron                      | 7.5                                | 5.25 | 10.5 | 11.0 | 9.5  | 0.88 | 8           | 115                         | 130               |              |
|               |               | D, H            |                                |                                    |      |      | 11.2 | 9.4  | 0.86 |             | 115                         | 130               |              |
|               |               | B               | Carbon steel & stainless steel | 11.0                               | 9.5  | 0.88 | 8    | 115  | 130  |             |                             |                   |              |
|               |               | D, H            |                                | 11.2                               | 9.4  | 0.86 |      | 115  | 130  |             |                             |                   |              |

**Flow capacity:**

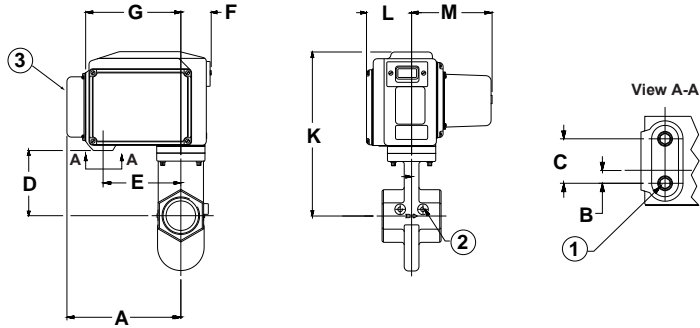
- S - Standard
- C - CP body construction
- H - High capacity

**Body connection:**

- A - NPT
- B - ANSI flanged (ISO 7005 PN20)
- C - ISO 7-1 threaded
- D - DIN PN16 flanged
- E - Socket welded nipple
- F - Socket welded nipple w/Class 150 flange (ISO 7005 PN20)
- H - EN1092-1 PN16 (ISO 7005-1 PN16)

**Valve actuators: 2-1/2" C through 4" C and 6" S valves**

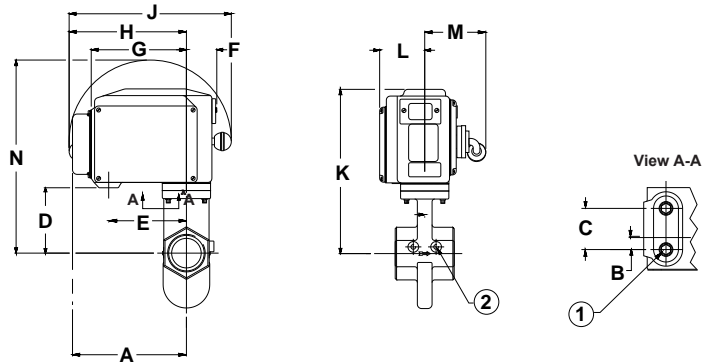
Automatic reset type (CMA11, CMA21, CMA12, CMA22)



- 1) (2) 3/4" NPT (DN 20) conduit connection
- 2) (2) 1/4" NPT (DN 8) test connection
- 3) Terminal block cover

NOTE: 2.75" needed for terminal block cover removal

Manual reset type (CMM11, CMM12, CMM22, SMM11, SMM12)

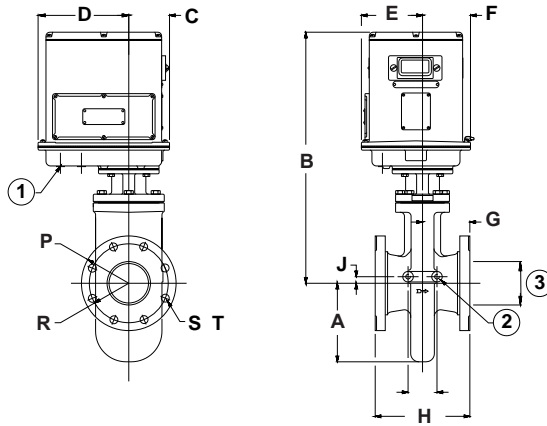


| Valve size               | Flow capacity | Valve type               | Approximate dimensions (in inches) |      |   |      |      |      |      |      |       |       |     |      |       |      |   |   |      |      |       |       |  |
|--------------------------|---------------|--------------------------|------------------------------------|------|---|------|------|------|------|------|-------|-------|-----|------|-------|------|---|---|------|------|-------|-------|--|
|                          |               |                          | A                                  | B    | C | D    | E    | F    | G    | H    | J     | K     | L   | M    | N     |      |   |   |      |      |       |       |  |
| 2-1/2" (DN65)            | C             | MM11                     | 11.6                               | 0.88 | 3 | 6.09 | 7.25 | 2.83 | 8.87 | 10.9 | 15.12 | 14.56 | 4.2 | 6.34 | 14.56 |      |   |   |      |      |       |       |  |
|                          |               | MM12, MM22               |                                    |      |   |      |      |      |      | 4    |       |       |     |      |       |      |   |   |      |      |       |       |  |
|                          |               | MA11, MA21<br>MA12, MA22 |                                    |      |   |      |      |      |      |      |       |       |     |      |       | 7.51 |   |   |      |      |       |       |  |
|                          |               | 3" (DN80)                |                                    |      |   |      |      |      |      | C    | MM11  |       |     |      |       |      |   |   |      | 10.9 | 15.12 | 15.29 |  |
| MM12, MM22               |               |                          |                                    |      |   |      |      |      |      |      |       |       |     |      |       |      | 4 |   |      |      |       |       |  |
| MA11, MA21<br>MA12, MA22 |               |                          |                                    |      |   |      |      |      |      |      |       |       |     |      |       |      |   |   | 7.51 |      |       |       |  |
| 4" (DN100)               | C             |                          |                                    |      |   |      |      |      |      |      | MM11  |       |     |      |       |      |   |   |      | 10.9 | 15.12 | 15.29 |  |
|                          |               | MM12, MM22               |                                    |      |   |      |      |      |      |      |       |       |     |      |       |      | 4 |   |      |      |       |       |  |
|                          |               | MA11, MA21<br>MA12, MA22 |                                    |      |   |      |      |      |      |      |       |       |     |      |       |      |   |   | 7.51 |      |       |       |  |
|                          |               | 6" (DN150)               |                                    |      |   |      |      |      |      | S    | MM11  |       |     |      |       |      |   |   |      | 10.9 | 15.12 | 20.75 |  |
| MM12                     |               |                          |                                    |      |   |      |      |      |      |      |       |       |     |      |       |      |   | 4 |      |      |       |       |  |

**Valve bodies and actuators: 4" & 6" high capacity valves**

HMA11 versions only

- 1) (2) 3/4" NPT conduit connection
- 2) (2) 1/4" NPT test connection
- 3) Pipe size



| Valve size | Flow capacity | Valve type | Approximate dimensions (in inches) |       |      |      |      |      |
|------------|---------------|------------|------------------------------------|-------|------|------|------|------|
|            |               |            | A                                  | B     | C    | D    | E    | F    |
| 4" (DN100) | H             | MA11       | 7.31                               | 23.88 | 3.87 | 8.63 | 4.19 | 4.56 |
| 6" (DN150) | H             | MA11       | 8.38                               | 25.0  |      |      | 5.81 |      |

| Valve size | Body connection | Body/bonnet material           | Approximate dimensions (in inches) |      |      |      |     |      |              | Approximate weight (in lbs) |                   |              |
|------------|-----------------|--------------------------------|------------------------------------|------|------|------|-----|------|--------------|-----------------------------|-------------------|--------------|
|            |                 |                                | G                                  | H    | J    | P Ø  | R Ø | S Ø  | T # of holes | Body assembly               | Actuator assembly | Total weight |
| 4" (DN100) | B               | Cast iron                      | 4.5                                | 9.0  | 0.62 | 9.0  | 7.5 | 0.75 | 8            | 94                          | 45                | 139          |
|            | D, H            |                                |                                    |      |      | 8.7  | 7.1 | 0.72 |              | 94                          |                   | 139          |
|            | B               | Carbon steel & stainless steel |                                    |      |      | 9.0  | 7.5 | 0.75 |              | 94                          |                   | 139          |
|            | D, H            |                                |                                    |      |      | 8.7  | 7.1 | 0.72 |              | 94                          |                   | 139          |
| 6" (DN150) | B               | Cast iron                      | 5.25                               | 10.5 | 0.62 | 11.0 | 9.5 | 0.88 | 8            | 117                         | 45                | 162          |
|            | D, H            |                                |                                    |      |      | 11.2 | 9.4 | 0.86 |              | 117                         |                   | 162          |
|            | B               | Carbon steel & stainless steel |                                    |      |      | 11.0 | 9.5 | 0.88 |              | 126                         |                   | 171          |
|            | D, H            |                                |                                    |      |      | 11.2 | 9.4 | 0.86 |              | 126                         |                   | 171          |

**Flow capacity:**

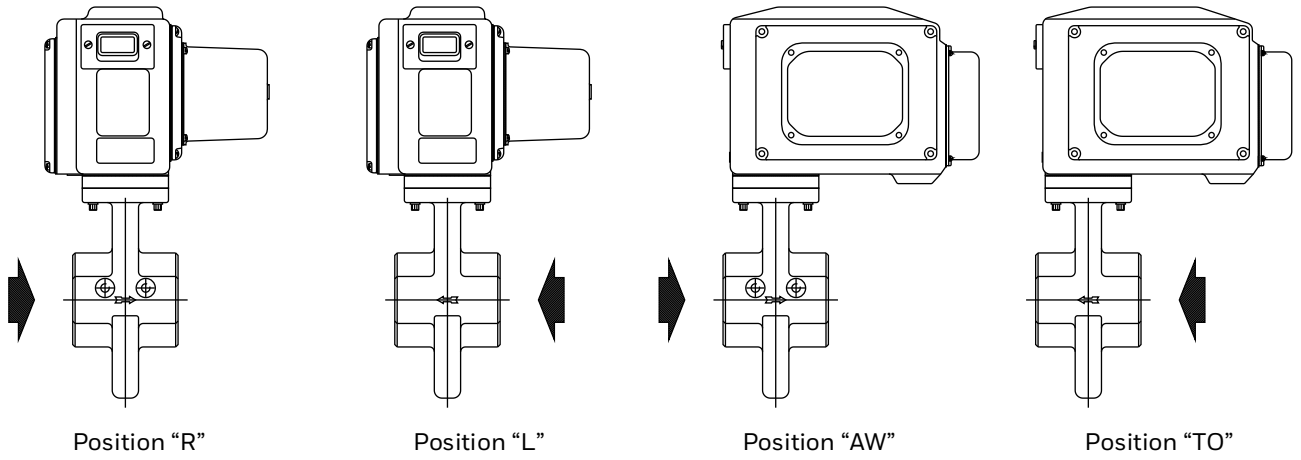
- S - Standard
- C - CP body construction
- H - High capacity

**Body connection:**

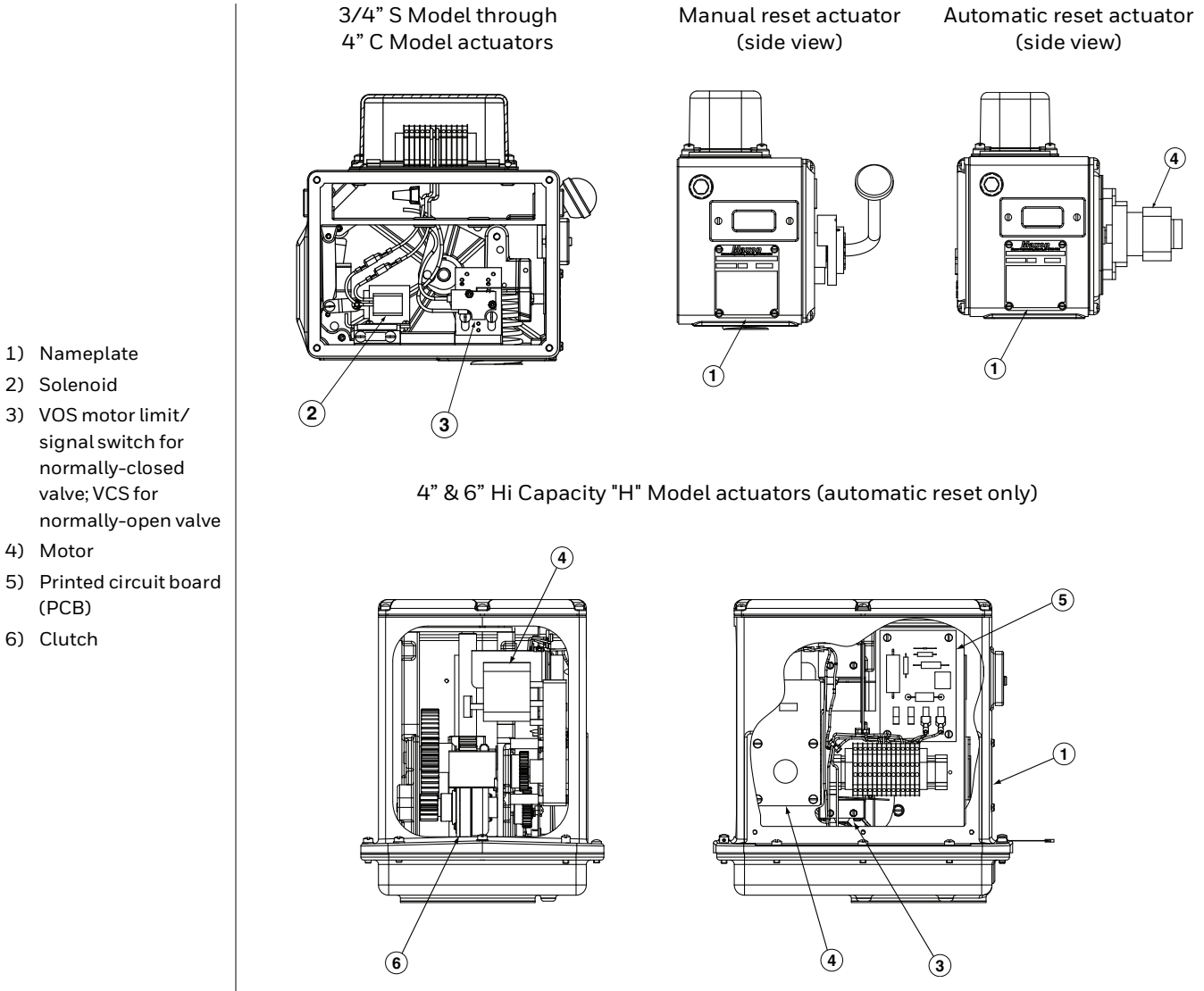
- A - NPT
- B - ANSI flanged (ISO 7005 PN20)
- C - ISO 7-1 threaded
- D - DIN PN16 flanged
- E - Socket welded nipple
- F - Socket welded nipple w/Class 150 flange (ISO 7005 PN20)
- H - EN1092-1 PN16 (ISO 7005-1 PN16)

### Available top assembly positions

The valve top assembly can be positioned on the body in four different orientations. See sketches below to determine the designation of the required orientation for your application.



## VALVE ACTUATOR SPARE PART IDENTIFICATION



- **MAXON nameplates include a model designation, which can be used to easily identify the exact components for each valve configuration.**
- **Standard and CP Flow (S and C Models) valves spare parts include the solenoid, motor, and switches as shown above.**
- **Hi Capacity (H model) valve spare parts include the clutch, motor and circuit board as shown above.**





Please read the operating and mounting instructions before using the equipment. Install the equipment in compliance with the prevailing regulations.

Bedrijfs- en montagehandleiding voor gebruik goed lezen! Apparaat moet volgens de geldende voorschriften worden geïnstalleerd.

Lire les instructions de montage et de service avant utilisation! L'appareil doit impérativement être installé selon les réglementations en vigueur.

Betriebs- und Montageanleitung vor Gebrauch lesen! Gerät muß nach den geltenden Vorschriften installiert werden.

## MANUFACTURER AND IMPORTER ADDRESSES

Below are the addresses and contact information for the Honeywell – Maxon manufacturing location and European sales office. The European sales office serves as the importer and EU manufacturer's representative under the EU New Legislative Framework (NLF).

### **MUNCIE, INDIANA, USA – MANUFACTURER**

201 East 18th Street

Muncie, IN 47307-0068

Tel: 765.284.3304

Fax: 765.286.8394

### **EUROPEAN SALES OFFICE – IMPORTER**

BELGIUM

Maxon International BVBA

Luchthavenlaan 16-18

1800 Vilvoorde, Belgium

Tel: 32.2.255.09.09

Fax: 32.2.251.82.41

## **WARNING**






**The installation, operation and maintenance instructions contain important information that must be read and followed by anyone operating or servicing this product. Do not operate or service this equipment unless the instructions have been read. IMPROPER INSTALLATION OR USE OF THIS PRODUCT COULD RESULT IN BODILY INJURY OR DEATH.**

### Nameplate and abbreviations

Consult the nameplate of your valve. This lists the maximum operating pressure, temperature limitations, voltage requirements and service conditions of your specific valve. Do not exceed nameplate ratings.

### Description

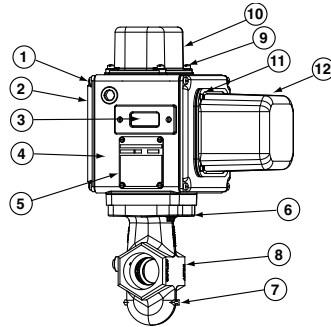
MAXON electro-mechanical valves are electrically actuated fuel shut-off valves. The valves are designed for a fast acting return to the at rest position upon removal of a control voltage signal. Motorized automatic and manual actuators are available depending on application needs. In addition, normally-closed and normally-open options are available. The normally-closed versions will shut off flow when de-energized and pass flow when energized. The normally-open versions will shut off flow when energized and pass flow when de-energized. Electro-mechanical valves are also offered in configurations that meet hazardous locations.

| Abbreviation or symbol  | Description   |
|---|---|
| M.O.P.  | Maximum operating pressure  |
| OPENING   | Valve opening time (for automatic valves only). Units shown in seconds.             |
|  | Solenoid/clutch voltage and frequency   |
|  | Motor voltage and frequency   |
| T <sub>AMB</sub>  | Ambient temperature range   |
| T <sub>F</sub>  | Fluid temperature range   |
| SHUT  | Visual indication that valve is shut  |
| OPEN  | Visual indication that valve is open  |
| SPDT (HS)   | Single pole double throw hermetically-sealed switch(es)                             |
| SPDT  | Single pole double throw switch(es)   |
| SPDT (HC)   | Single pole double throw high capacity switch(es) (used when DC motors are ordered) |
| DPDT  | Double pole double throw switch(es)   |
| GENERAL PURPOSE AREA  | Designates components used in general purpose areas                                 |
| DIVISION 2 AREA   | Designates components used in Division 2 hazardous locations areas                  |
|  | Valve is shut   |
|  | Valve is partially open   |
|  | Valve is full open  |
| VOS-1/2   | Valve open switch(es)   |
| VCS-1/2   | Valve closed switch(es); proof of closure   |

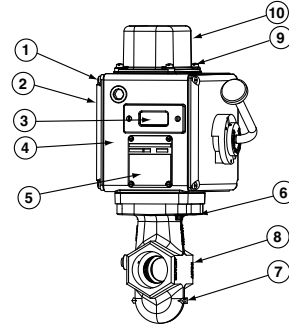
### Component identification

- 1) Access cover screws
- 2) Access cover
- 3) Visual indication
- 4) Mainbase
- 5) Nameplate
- 6) Actuator bolts
- 7) Flow arrow
- 8) Valve body
- 9) Terminal block cover screws
- 10) Terminal block cover
- 11) Motor cover screws
- 12) Motor cover
- 13) Top cover plate screws
- 14) Top cover plate
- 15) Top housing
- 16) Top housing screws

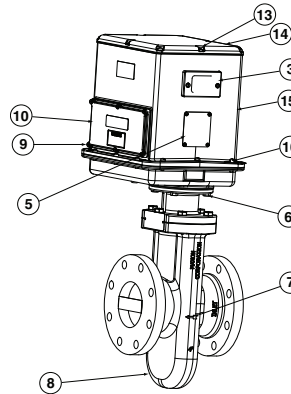
Automatic (motorized) valve  
Model designation  
SMA11, CMA11, SMA21, CMA21



Manual valve  
Model designation  
SMM11, CMM11, SMM21



Automatic (motorized) valve - 4" & 6" high capacity  
Model designation  
HMA11



| Table 1 - Torque specifications |             |                                    |           |
|---------------------------------|-------------|------------------------------------|-----------|
| Valve type                      | Item number | Description                        | Torque    |
| "S" Valves<br>3/4" - 1-1/2"     | 1           | Access cover screws 1/4-20         | 72 in-lbs |
|                                 | 6           | Actuator bolts 5/16-18             | 13 ft-lbs |
|                                 | 9           | Terminal block cover screws 1/4-20 | 72 in-lbs |
|                                 | 11          | Motor cover screws #10-24          | 42 in-lbs |
| "S" Valves<br>2" - 3"           | 1           | Access cover screws 1/4-20         | 72 in-lbs |
|                                 | 6           | Actuator bolts 3/8 - 16            | 20 ft-lbs |
|                                 | 9           | Terminal block cover screws 1/4-20 | 72 in-lbs |
|                                 | 11          | Motor cover screws #10-24          | 42 in-lbs |
| "C" Valves<br>2" - 4"           | 1           | Access cover screws 1/4-20         | 72 in-lbs |
|                                 | 6           | Actuator bolts 3/8 - 16            | 20 ft-lbs |
|                                 | 9           | Terminal block cover screws 1/4-20 | 72 in-lbs |
|                                 | 11          | Motor cover screws #10-24          | 42 in-lbs |
| "H" Valves<br>4" - 6"           | 9           | Terminal block cover screws #10-24 | 42 in-lbs |
|                                 | 13          | Top cover plate screws 1/4-20      | 72 in-lbs |
|                                 | 16          | Top housing screws 1/4-20          | 72 in-lbs |

## Installation

1. A gas filter or strainer of 40 mesh (0.6 mm) or smaller is recommended in the fuel gas piping to protect the downstream safety shut-off valves.
2. Properly support and pipe the valve in the direction of the flow arrow on the valve body. Valve seats are directional. Sealing will be maintained at full rated pressures in one direction only. Sealing will be provided in reverse flow only at reduced pressures.
3. Mount valve so that open/shut window indicator will be visible to your operating personnel. The open/shut window indicator should never face downward. The valve side plates should be located in a vertical plane for best performance. Valves are usually installed in horizontal piping; however, other orientations are acceptable, subject to the above limitations. The top assemblies of all MAXON valves are field rotatable to allow installations involving conflicts with these mounting restrictions.
4. Wire the valve in accordance with all applicable local and national codes and standards. In U.S. and Canada, wiring must conform to the NEC ANSI/NFPA 70 and/or CSA C22.1, Part 1.
  - Supply voltages must agree with valve's nameplate voltage within -15%/+10% for proper operation. For electrical wiring schematic, see instructions or sample affixed inside valve terminal block cover.
  - Grounding is achieved with a grounding screw, which is located in the top assembly.
  - Customer connections are provided via terminal blocks located in the top assembly.
  - Main power wiring (120 VAC or 240 VAC) must be segregated from lower voltage 24 VDC signal wiring, when both are required.
  - To eliminate any potential for gas to enter the electrical wiring system, install a conduit seal fitting at the actuator conduit hub.
5. Maintain integrity of the electro-mechanical actuator enclosures by using the appropriate electrical connectors for the (2) 3/4" NPT conduit threaded connections. The electrical enclosure is NEMA 4 rated with an option for NEMA 4X.
6. All access cover plate screws should be tightened using a torque wrench in an alternate cross-corner tightening pattern to the values shown in "Table 1 - Torque specifications" on page 27.
7. Verify proper installation and operation by electrically actuating the valve for 10-15 cycles prior to the first introduction of gas.
8. **WARNING - Explosion hazard**
  - **Do not connect or disconnect this equipment unless power has been removed or the area is known to be non-hazardous.**
  - **Substitution of components may impair suitability for Class I, Division 2 (applies to MM12, MA12, MM22 and MA22 valves only).**
9. This equipment is suitable for installation in Class I, Division 2 Groups B, C, D, and Class II Groups F and G, and Class III hazardous locations or non-hazardous locations (applies to MM12, MA12, MM22 and MA22 valves only).
10. Never test gas valves, or the pipeline they are in, with liquids. The design of the body prevents removal of the liquid after testing, which can cause erratic function or failure.

## Auxiliary features

- **Non-adjustable proof of closure switch(es) with valve seal over travel interlock**
- **Auxiliary switch for indication of full travel (open for normally-closed valves, closed for normally-open valves)**

## Operating environment

- **Actuators rated for NEMA 4 or optional NEMA 4X**
- **Ambient and fluid temperature range of -20°F to +140°F for S and C Model constructions**
- **Ambient and fluid temperature range of -20°F to +125°F for H Model constructions**
- **All valves for oxygen service or using Ethylene Propylene body seals are limited to a minimum ambient and fluid temperature of 0°F**

## ACTUATOR ASSEMBLY ROTATION

### WARNING

**MAXON electro-mechanical valves should be ordered in a configuration compatible with planned piping. If valve orientation is not correct, the actuator assembly can be rotated in 90° increments around the valve body centerline axis using the procedure below.**

1. Shut off all electrical power and close off upstream manual cock.
2. Remove terminal block cover plate and disconnect power lead wires. (Tag carefully for later re-assembly.)
3. Remove conduit and electrical leads.
4. Note physical position of any signal switch actuator wands on auxiliary signal switches.
5. Unscrew the two actuator bolts screwed up from the bottom to 1/4 inch. DO NOT completely remove. These bolts secure the valve body to the valve's top assembly housing.
6. Gently lift the top assembly (not more than 1/4" in height); just enough to break the seal between the valve body assembly and the rubber gasket adhering to the bottom of the top housing.

### WARNING

**Lifting too far may dislodge some small parts inside the top housing, requiring complex re-assembly and retesting by trained factory personnel.**

7. Remove the two actuator bolts screwed up from the bottom (were partially unscrewed in step 5).
8. Carefully rotate top assembly to the desired position in a plane parallel to the top of the valve body casting. Rotate the top housing about 30° beyond this position, and then rotate it back. Reposition the top housing back down onto the valve body casting. This should align the open/shut indicator with its window and provide proper alignment of the internal mechanism.
9. Realign holes in valve body casting with the corresponding tapped holes in the bottom of the top assembly housing. Be sure the gasket is still in place between the body and top housing.
10. Reinsert the actuator bolts up from the bottom through the body and carefully engage threads of the top assembly. Tighten securely.
11. Reconnect conduit and electrical leads, then check that signal switch wands are properly positioned and that the open/shut indicator moves freely. Failure to correct any such misalignment can result in extensive damage to the internal mechanism of your valve.
12. Energize valve and cycle several times from closed to full open position. Also electrically trip the valve in a partially opened position to prove valve operates properly.

13. Replace and secure terminal block cover plate and place valve in service.

## FIELD INSTALLATION OF VALVE POSITION SWITCH

### General

- Shut off fuel supply upstream of valve, then de-energize valve electrically.
- Remove terminal block and access cover to provide access, being careful not to damage gaskets.
- Compare with illustrations below to identify your valve type.

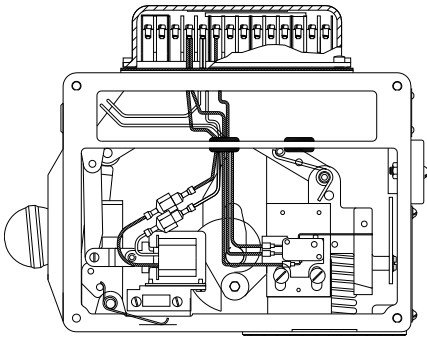
### Replacement switches

- Note wand position and mounting hole location carefully, then remove 2 screws and lift existing switch.
- Install replacement switch in same mounting holes on bracket and verify correct wand position.
- Replace existing wiring one connection at a time, following original route and placement.

### Add switches

NOTE: Instructions below are written for normally-closed valves. For normally-open valves, reverse switch nomenclature (VOS becomes VCS and vice versa).

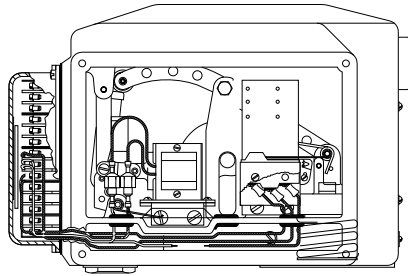
- Check illustrations below. If your valve uses a switch mounting bracket as in Fig. 1 & 2, mount switches to bracket using the mounting holes appropriate for valve type and size. For high capacity valves, mount switches on the support stand.
- Position bracket so VCS wand just touches top of actuator, then move downward slightly, depressing wand until switch clicks, then tighten mounting screws to hold this position.
- Pin bracket by drilling 1/8" diameter holes 1/4" deep into bracket mounting pad through drive pin holes, then tap drive pin in until flush (not required for high capacity valves).
- Route wires to wiring compartment as shown, then complete wiring connections and clean out metal drilling chips from previous procedure.
- Cycle valve, checking switch actuation points carefully. (VCS actuates at top of stem stroke, VOS at bottom.) Simultaneously the valve body must be tested for switch continuity and seat leakage. Bend VOS switch wands slightly if necessary to insure valve is opening fully.
- Replace covers, then return valve to service.



Reference mounting bracket A

Fig. 1

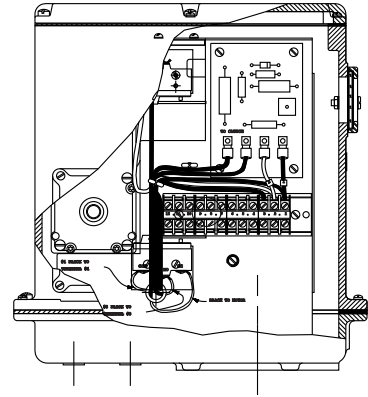
Manual reset actuator  
3/4" - 3" S Models



Reference mounting bracket B

Fig. 2

Automatic reset actuator  
2-1/2" C - 4" C Models and 6" S Model



Switches mount on support stand

Fig. 3

Automatic reset actuator  
4" & 6" H Models

Wand position (for normally-closed valves)

VOS switch wand should be  
actuated from above

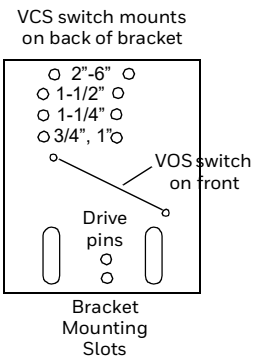


VCS switch wand should be  
actuated from below

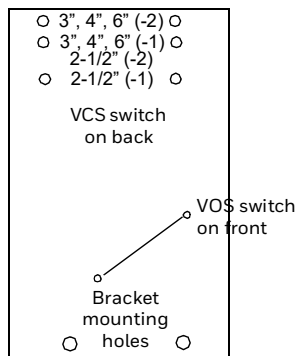


Mounting brackets

Mounting bracket A



Mounting bracket B



## MAINTENANCE INSTRUCTIONS

MAXON electro-mechanical valves are endurance tested far in excess of the most stringent requirements of the various approval agencies. They are designed for long life even if frequently cycled, and to be as maintenance-free and trouble-free as possible. A valve operational test should be performed on an annual basis. If abnormal opening or closing is observed, the valve should be removed from service and your MAXON representative should be contacted. (See MAXON Technical Document 10-35.1.)

Valve leak test should be performed on an annual basis to assure continued safe and reliable operation. Every MAXON valve is operationally tested and meets the requirements of FCI 70-2 Class VI Seat Leakage when in good operable condition. Zero leakage may not be obtained in the field after it has been in service. For specific recommendations on leak test procedures, see MAXON Technical Document 10-35.2. Any valve that exceeds the allowable leakage, as set forth by your local codes or insurance requirements should be removed from service and your MAXON representative should be contacted.

Actuator assembly components require no field lubrication and should never be oiled.

Auxiliary switches, solenoids, motors, clutches or circuit boards may be replaced in the field.



### **WARNING**

**Do not attempt field repair of valve body or actuator. Any alterations void all warranties and can create potentially hazardous situations.**

If foreign material or corrosive substances are present in the fuel line, it will be necessary to inspect the valve to make certain it is operating properly. If abnormal opening or closing is observed, the valve should be removed from service. Contact your MAXON representative for instructions.

Operator should be aware of and observe characteristic opening/closing action of the valve. Should operation ever become sluggish, remove valve from service and contact MAXON for recommendations.

Address inquiries to MAXON. Local worldwide offices may be located at [www.maxoncorp.com](http://www.maxoncorp.com). Include valve serial number and nameplate information.

## Special Conditions of Safe Use:

Product contains greater than 10% Aluminum.

**MA Valves****IEC 61508 Failure Rates in FIT\***

| Failure Category | $\lambda_{sd}$ | $\lambda_{su}$ | $\lambda_{dd}$ | $\lambda_{du}$ |
|------------------|----------------|----------------|----------------|----------------|
| FC-D/SR          | 0 Fit          | 797 FIT        | 0 FIT          | 1170 FIT       |
| FC-F/SR          | 0 FIT          | 1342 FIT       | 0 FIT          | 625 FIT        |
| FO-F/SR          | 0 FIT          | 1410 FIT       | 0 FIT          | 557 FIT        |

|         |  |
|---------|--|
| FC-D/SR | Normally-Close Shut-Off Series MA11, MA12, MA21, and MA22 Electric Actuated Valves, spring-return – Design Sealing performance |
| FC-F/SR | Normally-Close Shut-Off Series MA11, MA12, MA21, and MA22 Electric Actuated Valves, spring-return – Full stroke performance    |
| FO-F/SR | Normally-Open Vent Series MA11, MA12, MA21, and MA22 Electric Actuated Valves, spring-return                                   |

**MM Valves****IEC 61508 Failure Rates in FIT\***

| Failure Category | $\lambda_{sd}$ | $\lambda_{su}$ | $\lambda_{dd}$ | $\lambda_{du}$ |
|------------------|----------------|----------------|----------------|----------------|
| FC-D/SR          | 0 Fit          | 699 FIT        | 0 FIT          | 1137 FIT       |
| FC-F/SR          | 0 FIT          | 1244 FIT       | 0 FIT          | 592 FIT        |
| FO-F/SR          | 0 FIT          | 1312 FIT       | 0 FIT          | 524 FIT        |

|         |  |
|---------|--|
| FC-D/SR | Normally-Close Shut-Off Series MM11, MM12, MM21, and MM22 Electric Actuated Valves, spring-return – Design Sealing performance |
| FC-F/SR | Normally-Close Shut-Off Series MM11, MM12, MM21, and MM22 Electric Actuated Valves, spring-return – Full stroke performance    |
| FO-F/SR | Normally-Open Vent Series MM11, MM12, MM21, and MM22 Electric Actuated Valves, spring-return                                   |

**For More Information**

The Honeywell Thermal Solutions family of products includes Honeywell Combustion Safety, Eclipse, Exothermics, Hauck, Kromschröder and Maxon. To learn more about our products, visit [ThermalSolutions.honeywell.com](http://ThermalSolutions.honeywell.com) or contact your Honeywell Sales Engineer.

**Honeywell MAXON branded products**

201 E 18th Street  
Muncie, IN 47302  
USA

[www.maxoncorp.com](http://www.maxoncorp.com)

**Honeywell Process Solutions**

Honeywell Thermal Solutions (HTS)  
1250 West Sam Houston Parkway  
South Houston, TX 77042  
[ThermalSolutions.honeywell](http://ThermalSolutions.honeywell)

© U.S. Registered Trademark  
© 2022 Honeywell International Inc.  
32M-05001-04 – e02.22  
Printed in United States

