

# Commercial Service Reliability



## FISHER™ CS800 Series

### The Fisher™ CS800 Series

The CS800 Series direct-operated, spring-loaded regulators have been engineered to fit a multitude of pressure-reducing applications including low pressure commercial service installations. The CS800 Series regulators can accommodate up to 21,600,000 BTU per hour / 243 SCMH of flow capacity and are available in 1-1/2 and 2 in. body sizes with 8 in. w.c. to 5.5 psig / 20 mbar to 0.38 bar pressure ranges.

### Product Advantages

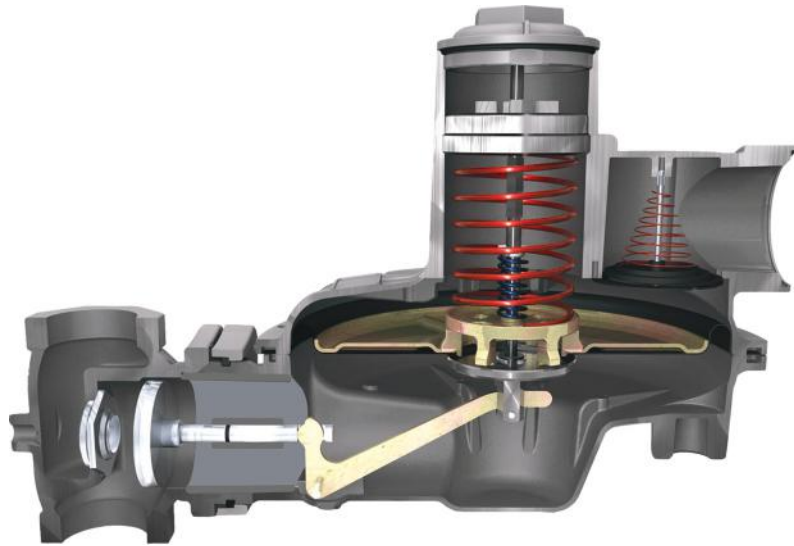
- Up to 2 in. body size with NPT or flange end connection
- Capacities from 10M to 20M BTU per hour / 112 to 224 SCMH
- Functionality tested from -40 to 160°F / -40 to 71°C
- Flow optimized discs provide maximum flow
- Internal relief for overpressure protection
- Ease of maintenance and installation
- Enhanced construction materials for long-lasting strength



Type CS800IR



# Overpressure Protection Option



## Internal Relief

Provides internal relief capacity to protect the device from minor overpressure incidents.

## CS800 Series Features

- **Available Configurations:** Type CS800IR, Type CS820IR
- **Operation:** Direct-Operated, Pressure Reducing
- **Body Size:** 1-1/2 and 2 in. NPT
- **Maximum Allowable Operating Pressure:** 30 psig / 2.1 bar
- **Outlet Pressure Range:** 8 to 12 in. w.c / 20 to 30 mbar, 1 to 2.5 psig / 0.07 to 0.17 bar, 2.5 to 5.5 psig / 0.17 to 0.38 bar
- **Pressure Settings:** 11 in. w.c / 27 mbar, 2 psig / 0.14 bar, 5 psig / 0.35 bar
- **Temperature Capabilities<sup>(1)</sup>:** -40 to 160°F / -40 to 71°C
- **Spring Case Vent Connection:** 1 NPT
- **Pressure Registration:** Internal
- **Body Material:** Gray Cast Iron

1. Product has passed Fisher™ testing for lockup, relief start-to-discharge and reseal at -40°F / -40°C.

## Emerson Automation Solutions

### Americas

T +1 800 558 5853  
T +1 972 548 3574

### Europe

T +39 051 419 0611

### Asia Pacific

T +65 6777 8211

### Middle East / Africa

T +971 4811 8100

✉ [webadmin.regulators@emerson.com](mailto:webadmin.regulators@emerson.com)

🌐 [Fisher.com](http://Fisher.com)

📘 [Facebook.com/EmersonAutomationSolutions](https://Facebook.com/EmersonAutomationSolutions)

🌐 [LinkedIn.com/company/emerson-automation-solutions](https://LinkedIn.com/company/emerson-automation-solutions)

🐦 [Twitter.com/emr\\_automation](https://Twitter.com/emr_automation)



The distinctive swirl pattern cast into every actuator casing uniquely identifies the regulator as part of the Fisher™ brand Commercial Service Regulator family and assures you of the highest-quality engineering, performance, and support traditionally associated with Fisher™ and Tartarini™ regulators. Visit [www.fishercommercialservice.com](http://www.fishercommercialservice.com) to access interactive applications.