

Commercial Service Reliability



FISHER™ CP400 Series

Fisher™ CP400 Series

The CP400 Series pressure loaded regulators have been engineered to fit a multitude of pressure-reducing applications including commercial and light industrial installations. This flexibility is provided by the multiple body sizes, end connections, body materials, outlet pressure settings and orifice sizes. The CP400 Series provides accurate control for use in pressure-factor measurement (PFM) and Fixed Factor billing applications.

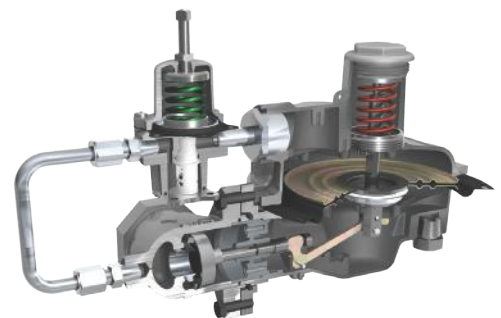
Overpressure protection is a strength of the CP400 Series due to multiple overpressure protection options that include Integral True-Monitor™ Protection and Slam-shut Protection. Token Relief is also offered for relieving minor overpressure from nicks on the orifice or from debris obstructing complete shutoff.

Product Advantages

- Wide variety of body sizes and end connections
- Fixed Factor / PFM Accuracy
- Multiple Overpressure Protection Options
- Integral Monitoring Regulator
- Integral Slam-shut
- Token Internal Relief
- Only standard tools required for pressure adjustment and orifice removal
- Internal or external pressure registration



CP400 Series



Typical CP400 Internal View



Overpressure Protection Options



INTEGRAL MONITORING REGULATOR

CP400 REGULATOR

Integral True-Monitor™ Protection

Combines the operation of a conventional two-regulator wide-open monitor set into one device without the need for a downstream control line.

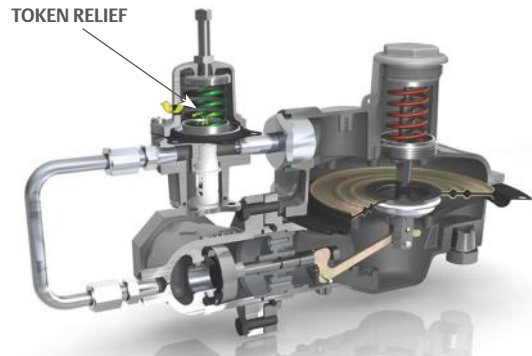


INTEGRAL SLAM-SHUT

CP400 REGULATOR

Slam-Shut

Shuts off gas service to the downstream system in the event of an overpressure or underpressure condition.



TOKEN RELIEF

Token Internal Relief (Located in the Type 67CPR Pressure Loading Regulator)

Relieves minor overpressure caused by nicks on the orifice/disk or debris obstructing complete shutoff and provides an indication via smell that an overpressure situation is occurring.

CP400 Series Features

- **Operation:** Pressure Loaded Pressure Reducing Regulator
- **Body Sizes and End Connections:** 1-1/4, 1-1/2 and 2 NPT; Rp 1-1/4, 1-1/2 and 2; NPS 2, CL125 FF and CL150 FF Flanges; DN 50, PN 10/16 Flanges
- **Outlet Pressure Range:** 1 to 20 psig / 69 mbar to 1.4 bar
- **Maximum Outlet (Casing) Pressure:** 25 psig / 1.7 bar
- **Temperature Capabilities:** -20 to 150°F / -29 to 66°C
- **Pressure Registration:** Internal or External
- **Body Material:** Gray Cast Iron, Ductile Cast Iron and Steel
- **Overpressure Protection:**
 - Integral Monitoring Regulator
 - Integral Slam-shut
 - Token Internal Relief

Emerson Automation Solutions

Americas

T +1 800 558 5853
T +1 972 548 3574

Europe

T +39 051 419 0611

Asia Pacific

T +65 6777 8211

Middle East / Africa

T +971 4811 8100

- ✉ webadmin.regulators@emerson.com
- 🔍 Fisher.com
- 📘 Facebook.com/EmersonAutomationSolutions
- 🌐 LinkedIn.com/company/emerson-automation-solutions
- 🐦 Twitter.com/emr_automation



The distinctive swirl pattern cast into every actuator casing uniquely identifies the regulator as part of the Fisher™ brand Commercial Service Regulator family and assures you of the highest-quality engineering, performance, and support traditionally associated with Fisher™ and Tartarini™ regulators. Visit www.fishercommercialservice.com to access interactive applications.

